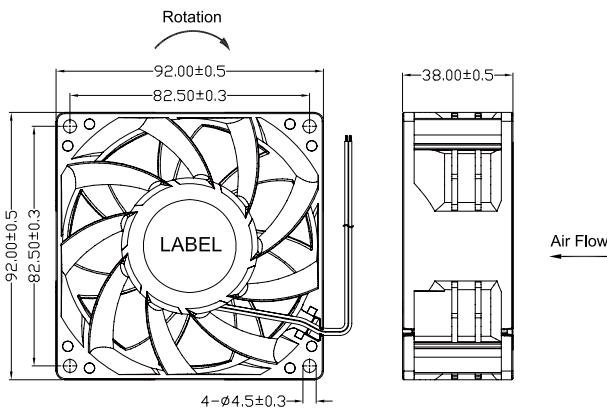


# HD9238 SERIES

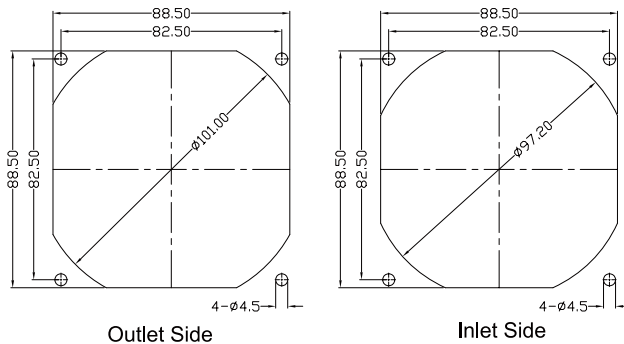
## 92x92x38 mm

- \* Frame: Plastic (Black) 94V-0
- \* Impeller: Plastic (Black) 94V-0
- \* Lead Wires: UL type or Equivalent, AWG#28, Red +, Black -
- \* Operating Temperature: -25°C~+70°C, 5%~90%RH
- \* Storage Temperature: -40°C~+80°C, 5%~90%RH
- \* Weight: 205.0g

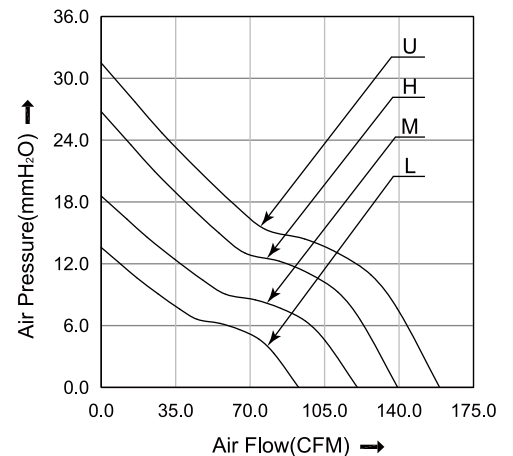
### ■ Dimensions(Unit:mm)



### ■ Mounting panel cutout(Unit:mm)



### ■ P&Q Curve



### ■ Specifications

| Model No. | Rated Voltage | Operating Voltage | Rated Current | Speed | Max. Air Flow       |        | Max. Static Pressure |                    | Noise |
|-----------|---------------|-------------------|---------------|-------|---------------------|--------|----------------------|--------------------|-------|
|           | VDC           | VDC               | A             | RPM   | m <sup>3</sup> /min | CFM    | mmH <sub>2</sub> O   | inH <sub>2</sub> O | dB    |
| HD9238L12 | 12            | 7.0~13.8          | 1.00          | 4500  | 2.63                | 92.80  | 13.60                | 0.54               | 53.0  |
| HD9238M12 | 12            | 7.0~13.8          | 1.50          | 5500  | 3.41                | 120.40 | 18.60                | 0.73               | 59.0  |
| HD9238H12 | 12            | 7.0~13.8          | 2.20          | 6500  | 3.95                | 139.40 | 26.80                | 1.06               | 63.0  |
| HD9238U12 | 12            | 7.0~13.8          | 3.00          | 7500  | 4.50                | 159.10 | 31.50                | 1.24               | 65.0  |
| HD9238L24 | 24            | 14.0~27.6         | 0.50          | 4500  | 2.63                | 92.80  | 13.60                | 0.54               | 53.0  |
| HD9238M24 | 24            | 14.0~27.6         | 0.80          | 5500  | 3.41                | 120.40 | 18.60                | 0.73               | 59.0  |
| HD9238H24 | 24            | 14.0~27.6         | 1.20          | 6500  | 3.95                | 139.40 | 26.80                | 1.06               | 63.0  |
| HD9238U24 | 24            | 14.0~27.6         | 1.50          | 7500  | 4.50                | 159.10 | 31.50                | 1.24               | 65.0  |
| HD9238L48 | 48            | 28.0~56.0         | 0.30          | 4500  | 2.63                | 92.80  | 13.60                | 0.54               | 53.0  |
| HD9238M48 | 48            | 28.0~56.0         | 0.40          | 5500  | 3.41                | 120.40 | 18.60                | 0.73               | 59.0  |
| HD9238H48 | 48            | 28.0~56.0         | 0.60          | 6500  | 3.95                | 139.40 | 26.80                | 1.06               | 63.0  |
| HD9238U48 | 48            | 28.0~56.0         | 0.80          | 7500  | 4.50                | 159.10 | 31.50                | 1.24               | 65.0  |

Note:

Bearing Type: Ball Bearing-----B, Sleeve Bearing-----S, Hydraulic Bearing-----R

Function description:

A:3rd Pulse Wire

F:Tachometer / Speed Sensor

R:Alarm/high

Q:Alarm/low S:Alarm/high-low

W:PWM Control input