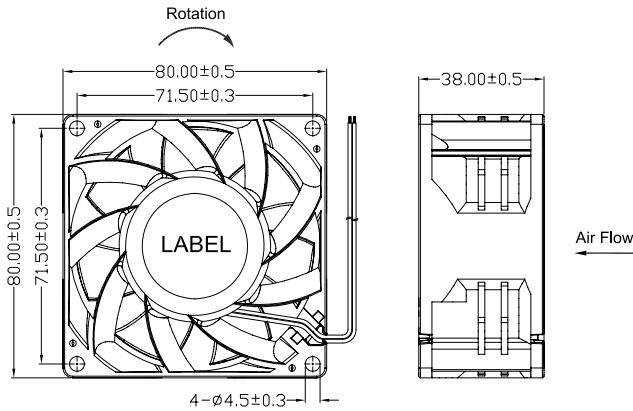


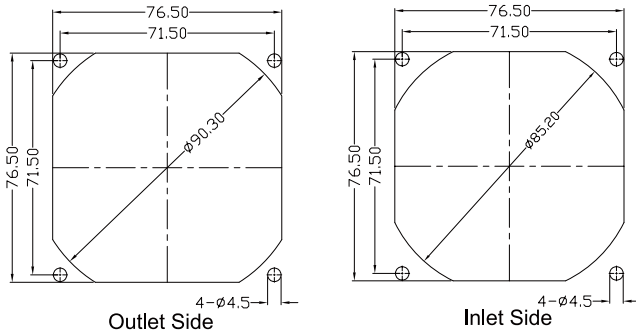
## 80x80x38 mm

- \* Frame: Plastic (Black) 94V-0
- \* Impeller: Plastic (Black) 94V-0
- \* Lead Wires: UL type or Equivalent, AWG#28, Red +, Black -
- \* Operating Temperature: -25°C~+70°C, 5%~90%RH
- \* Storage Temperature: -40°C~+80°C, 5%~90%RH
- \* Weight: 185.0g

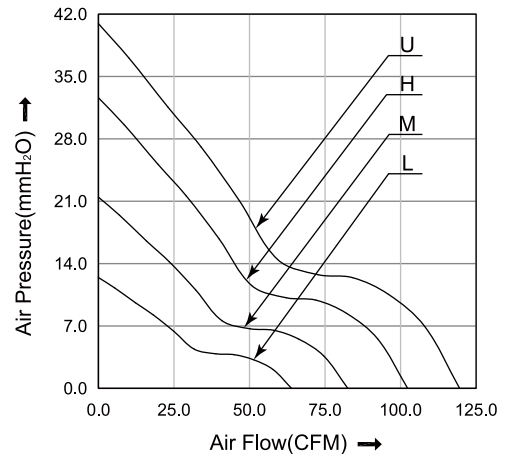
### ■ Dimensions(Unit:mm)



### ■ Mounting panel cutout(Unit:mm)



### ■ P&Q Curve



### ■ Specifications

Model No.	Rated Voltage	Operating Voltage	Rated Current	Speed	Max. Air Flow		Max. Static Pressure		Noise
	VDC	VDC	A	RPM	m <sup>3</sup> /min	CFM	mmH <sub>2</sub> O	inH <sub>2</sub> O	dB
HD8038L12	12	7.0~13.8	0.50	4500	1.81	63.80	12.40	0.49	49.5
HD8038M12	12	7.0~13.8	1.00	6000	2.34	82.60	21.40	0.84	58.0
HD8038H12	12	7.0~13.8	2.00	7500	2.90	102.40	32.50	1.28	63.5
HD8038U12	12	7.0~13.8	2.80	8500	3.39	119.60	40.80	1.61	66.0
HD8038L24	24	14.0~27.6	0.30	4500	1.81	63.80	12.40	0.49	49.5
HD8038M24	24	14.0~27.6	0.50	6000	2.34	82.60	21.40	0.84	58.0
HD8038H24	24	14.0~27.6	1.00	7500	2.90	102.40	32.50	1.28	63.5
HD8038U24	24	14.0~27.6	1.50	8500	3.39	119.60	40.80	1.61	66.0
HD8038L48	48	28.0~56.0	0.20	4500	1.81	63.80	12.40	0.49	49.5
HD8038M48	48	28.0~56.0	0.30	6000	2.34	82.60	21.40	0.84	58.0
HD8038H48	48	28.0~56.0	0.50	7500	2.90	102.40	32.50	1.28	63.5
HD8038U48	48	28.0~56.0	0.80	8500	3.39	119.60	40.80	1.61	66.0

Note:

Bearing Type: Ball Bearing-----B, Sleeve Bearing-----S, Hydraulic Bearing-----R

Function description:

A:3rd Pulse Wire

F:Tachometer / Speed Sensor

R:Alarm/high

Q:Alarm/low S:Alarm/high-low

W:PWM Control input