

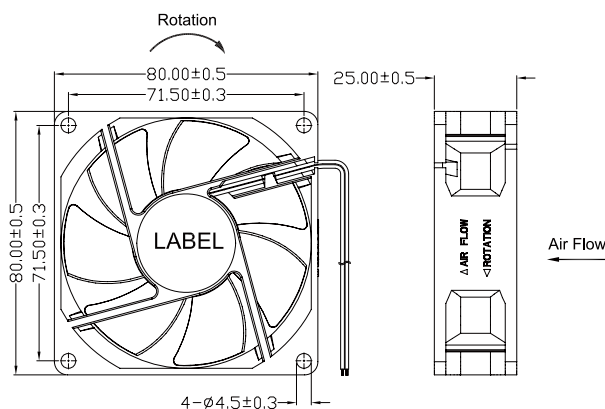
# HD8025 SERIES

## 80x80x25 mm

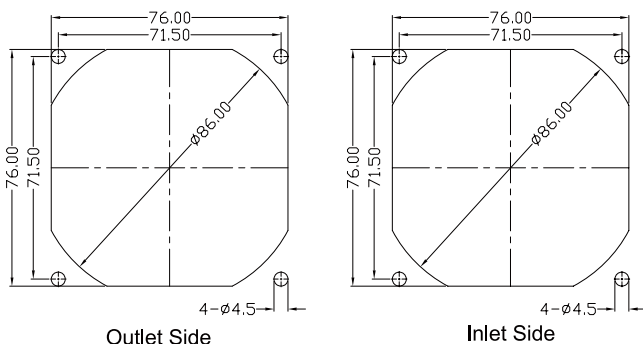
- \* Frame: Plastic (Black) 94V-0
- \* Impeller: Plastic (Black) 94V-0
- \* Lead Wires: UL type or Equivalent, AWG#28, Red +, Black -
- \* Operating Temperature: -25°C~+70°C, 5%~90%RH
- \* Storage Temperature: -40°C~+80°C, 5%~90%RH
- \* Weight: 68.0g



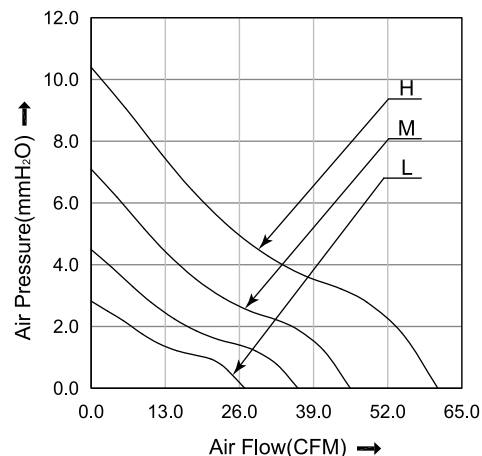
### ■ Dimensions(Unit:mm)



### ■ Mounting panel cutout(Unit:mm)



### ■ P&Q Curve



### ■ Specifications

Model No.	Rated Voltage	Operating Voltage	Rated Current	Speed	Max. Air Flow		Max. Static Pressure		Noise
	VDC	VDC	A	RPM	m <sup>3</sup> /min	CFM	mmH <sub>2</sub> O	inH <sub>2</sub> O	dB
HD8025L05	5	4.0~5.75	0.30	2000	0.76	27.00	2.80	0.11	24.0
HD8025M05	5	4.0~5.75	0.50	3000	1.03	36.30	4.50	0.18	33.0
HD8025H05	5	4.0~5.75	0.80	3800	1.29	45.50	7.10	0.28	39.0
HD8025L12	12	7.0~13.8	0.14	2000	0.76	27.00	2.80	0.11	24.0
HD8025M12	12	7.0~13.8	0.23	3000	1.03	36.30	4.50	0.18	33.0
HD8025H12	12	7.0~13.8	0.35	3800	1.29	45.50	7.10	0.28	39.0
HD8025U12	12	7.0~13.8	0.50	4800	1.72	60.80	10.40	0.41	44.5
HD8025L24	24	14.0~27.6	0.09	2000	0.76	27.00	2.80	0.11	24.0
HD8025M24	24	14.0~27.6	0.14	3000	1.03	36.30	4.50	0.18	33.0
HD8025H24	24	14.0~27.6	0.18	3800	1.29	45.50	7.10	0.28	39.0
HD8025U24	24	14.0~27.6	0.35	4800	1.72	60.80	10.40	0.41	44.5
HD8025L48	48	28.0~56.0	0.06	2000	0.76	27.00	2.80	0.11	24.0
HD8025M48	48	28.0~56.0	0.09	3000	1.03	36.30	4.50	0.18	33.0
HD8025H48	48	28.0~56.0	0.13	3800	1.29	45.50	7.10	0.28	39.0
HD8025U48	48	28.0~56.0	0.18	4800	1.72	60.80	10.40	0.41	44.5

Note:

Bearing Type: Ball Bearing-----B, Sleeve Bearing-----S, Hydraulic Bearing-----R

Function description:

A:3rd Pulse Wire

F:Techometer / Speed Sensor

R:Alarm/high

Q:Alarm/low S:Alarm/high-low

W:PWM Control input