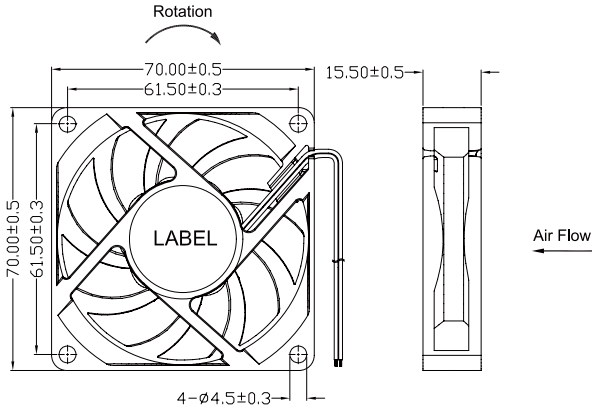


70x70x15 mm

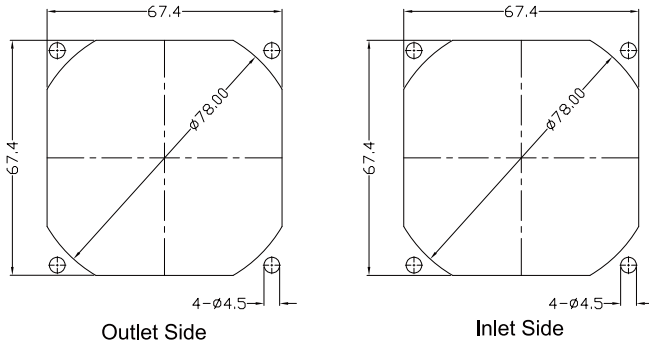
- * Frame: Plastic (Black) 94V-0
- * Impeller: Plastic (Black) 94V-0
- * Lead Wires: UL type or Equivalent, AWG#28, Red +, Black -
- * Operating Temperature: -25°C~+70°C, 5%~90%RH
- * Storage Temperature: -40°C~+80°C, 5%~90%RH
- * Weight: 42.0g



■ Dimensions(Unit:mm)



■ Mounting panel cutout(Unit:mm)



■ Specifications

Model No.	Rated Voltage	Operating Voltage	Rated Current	Speed	Max. Air Flow		Max. Static Pressure		Noise
	VDC	VDC	A	RPM	m ³ /min	CFM	mmH ₂ O	inH ₂ O	
HD7015L05	5	4.0~5.75	0.30	3000	0.61	21.40	2.10	0.08	26.5
HD7015M05	5	4.0~5.75	0.40	3600	0.76	26.70	3.10	0.12	31.5
HD7015H05	5	4.0~5.75	0.50	4200	0.82	29.10	4.70	0.19	36.0
HD7015L12	12	7.0~13.8	0.18	3000	0.61	21.40	2.10	0.08	26.5
HD7015M12	12	7.0~13.8	0.21	3600	0.76	26.70	3.10	0.12	31.5
HD7015H12	12	7.0~13.8	0.28	4200	0.82	29.10	4.70	0.19	36.0
HD7015L24	24	14.0~27.6	0.09	3000	0.61	21.40	2.10	0.08	26.5
HD7015M24	24	14.0~27.6	0.13	3600	0.76	26.70	3.10	0.12	31.5
HD7015H24	24	14.0~27.6	0.18	4200	0.82	29.10	4.70	0.19	36.0

Note:

Bearing Type: Ball Bearing-----B, Sleeve Bearing-----S, Hydraulic Bearing-----R

Function description:

A:3rd Pulse Wire F:Techometer / Speed Sensor R:Alarm/high
 Q:Alarm/low S:Alarm/high-low W:PWM Control input

■ P&Q Curve

