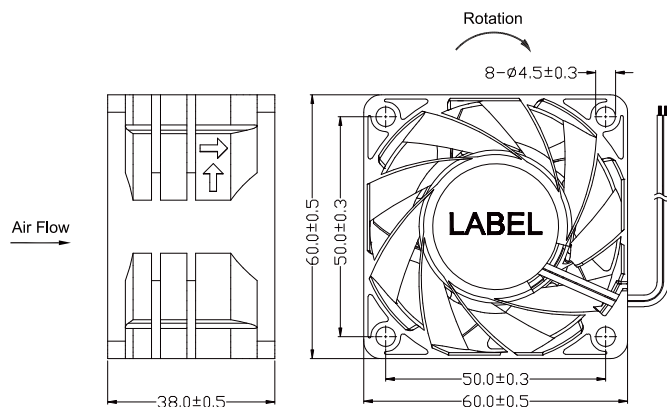


HD6038 SERIES

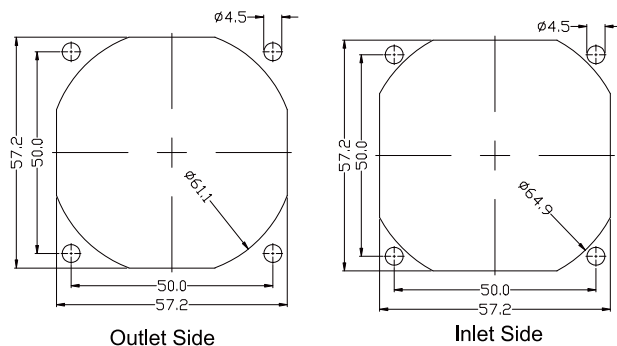
60x60x38 mm

- * Frame: Plastic (Black) 94V-0
- * Impeller: Plastic (Black) 94V-0
- * Lead Wires: UL type or Equivalent,AWG#28,Red +,Black -
- * Operating Temperature: -25°C~+70°C, 5%~90%RH
- * Storage Temperature: -40°C~+80°C, 5%~90%RH
- * Weight: 110.0g

■ Dimensions(Unit:mm)



■ Mounting panel cutout(Unit:mm)



■ Specifications

Model No.	Rated Voltage	Operating Voltage	Rated Current	Speed	Max. Air Flow		Max. Static Pressure		Noise
	VDC	VDC	A	RPM	m ³ /min	CFM	mmH ₂ O	inH ₂ O	dB
HD6038L12	12	7.0~13.8	0.40	6500	0.85	30.20	17.10	0.67	42.5
HD6038M12	12	7.0~13.8	0.65	9000	1.23	43.40	30.40	1.20	48.5
HD6038H12	12	7.0~13.8	1.30	11000	1.56	55.00	50.50	1.99	53.5
HD6038L24	24	14.0~27.6	0.20	6500	0.85	30.20	17.10	0.67	42.5
HD6038M24	24	14.0~27.6	0.35	9000	1.23	43.40	30.40	1.20	48.5
HD6038H24	24	14.0~27.6	0.65	11000	1.56	55.00	50.50	1.99	53.5
HD6038L48	48	28.0~56.0	0.13	6500	0.85	30.20	17.10	0.67	42.5
HD6038M48	48	28.0~56.0	0.23	9000	1.23	43.40	30.40	1.20	48.5
HD6038H48	48	28.0~56.0	0.40	11000	1.56	55.00	50.50	1.99	53.5

Note:

Bearing Type: Ball Bearing-----B, Sleeve Bearing-----S, Hydraulic Bearing-----R

Function description:

A:3rd Pulse Wire F:Tachometer / Speed Sensor R:Alarm/high

Q:Alarm/low S:Alarm/high-low W:PWM Control input



■ P&Q Curve

