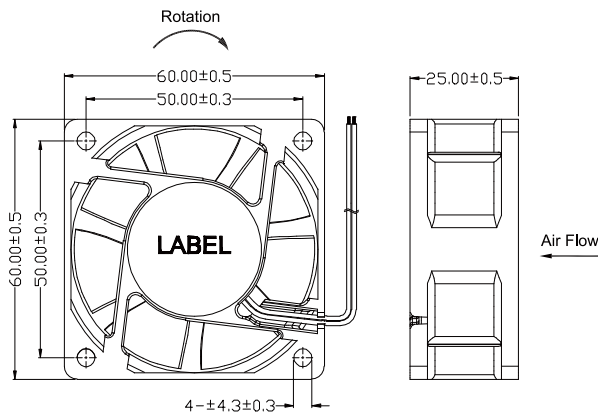


HD6025 SERIES

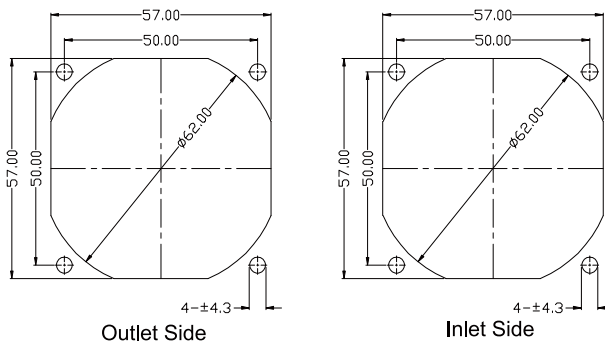
60x60x25 mm

- * Frame: Plastic (Black) 94V-0
- * Impeller: Plastic (Black) 94V-0
- * Lead Wires: UL type or Equivalent, AWG#28, Red +, Black -
- * Operating Temperature: -25°C~+70°C, 5%~90%RH
- * Storage Temperature: -40°C~+80°C, 5%~90%RH
- * Weight: 56.0g

■ Dimensions(Unit:mm)



■ Mounting panel cutout(Unit:mm)



■ Specifications

Model No.	Rated Voltage	Operating Voltage	Rated Current	Speed	Max. Air Flow		Max. Static Pressure		Noise
	VDC	VDC	A	RPM	m ³ /min	CFM	mmH ₂ O	inH ₂ O	dB
HD6025L05	5	4.0~5.75	0.40	4000	0.45	15.80	5.50	0.22	29.7
HD6025M05	5	4.0~5.75	0.50	5000	0.63	22.30	7.90	0.31	36.2
HD6025H05	5	4.0~5.75	0.70	6000	0.72	25.40	11.10	0.44	41.3
HD6025L12	12	7.0~13.8	0.18	4000	0.45	15.80	5.50	0.22	29.7
HD6025M12	12	7.0~13.8	0.23	5000	0.63	22.30	7.90	0.31	36.2
HD6025H12	12	7.0~13.8	0.32	6000	0.72	25.40	11.10	0.44	41.3
HD6025U12	12	7.0~13.8	0.50	8000	0.99	35.00	19.00	0.75	48.7
HD6025L24	24	14.0~27.6	0.09	4000	0.45	15.80	5.50	0.22	29.7
HD6025M24	24	14.0~27.6	0.14	5000	0.63	22.30	7.90	0.31	36.2
HD6025H24	24	14.0~27.6	0.21	6000	0.72	25.40	11.10	0.44	41.3
HD6025U24	24	14.0~27.6	0.30	8000	0.99	35.00	19.00	0.75	48.7
HD6025L48	48	28.0~56.0	0.06	4000	0.45	15.80	5.50	0.22	29.7
HD6025M48	48	28.0~56.0	0.09	5000	0.63	22.30	7.90	0.31	36.2
HD6025H48	48	28.0~56.0	0.14	6000	0.72	25.40	11.10	0.44	41.3
HD6025U48	48	28.0~56.0	0.18	8000	0.99	35.00	19.00	0.75	48.7

Note:

Bearing Type: Ball Bearing-----B, Sleeve Bearing-----S, Hydraulic Bearing-----R

Function description:

A:3rd Pulse Wire

F:Tachometer / Speed Sensor

R:Alarm/high

Q:Alarm/low S:Alarm/high-low

W:PWM Control input



■ P&Q Curve

