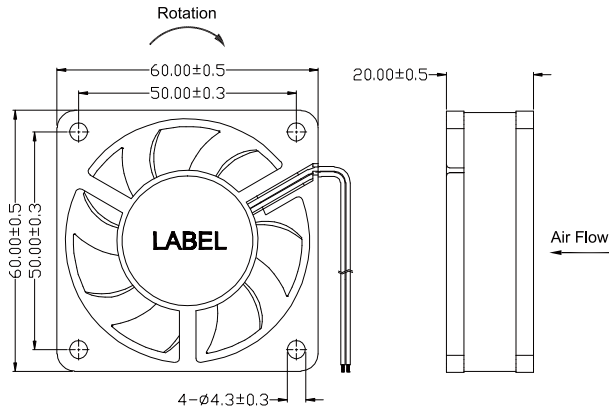


60x60x20 mm

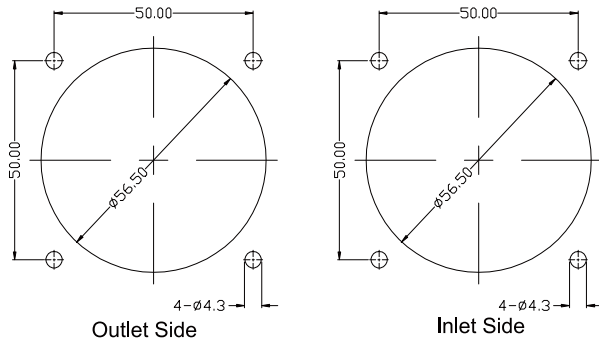
- * Frame: Plastic (Black) 94V-0
- * Impeller: Plastic (Black) 94V-0
- * Lead Wires: UL type or Equivalent,AWG#28,Red +,Black -
- * Operating Temperature: -25°C~+70°C, 5%~90%RH
- * Storage Temperature: -40°C~+80°C, 5%~90%RH
- * Weight: 48.0g



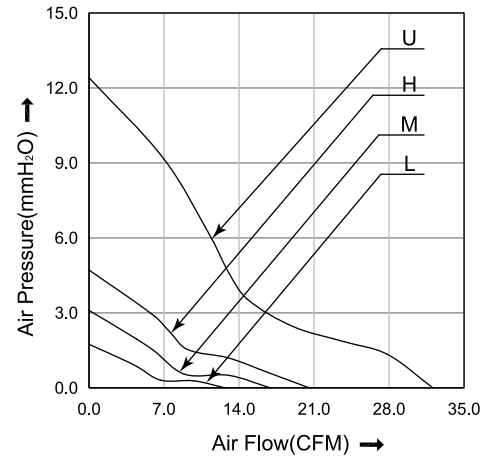
■ Dimensions(Unit:mm)



■ Mounting panel cutout(Unit:mm)



■ P&Q Curve



■ Specifications

Model No.	Rated Voltage	Operating Voltage	Rated Current	Speed	Max. Air Flow		Max. Static Pressure		Noise
	VDC	VDC			m ³ /min	CFM	mmH ₂ O	inH ₂ O	
HD6020L05	5	4.0~5.75	0.30	3000	0.36	12.70	1.70	0.07	24.0
HD6020M05	5	4.0~5.75	0.40	4000	0.48	16.90	3.10	0.12	30.5
HD6020H05	5	4.0~5.75	0.60	5000	0.58	20.50	4.70	0.19	37.0
HD6020L12	12	7.0~13.8	0.14	3000	0.36	12.70	1.70	0.07	24.0
HD6020M12	12	7.0~13.8	0.18	4000	0.48	16.90	3.10	0.12	30.5
HD6020H12	12	7.0~13.8	0.32	5000	0.58	20.50	4.70	0.19	37.0
HD6020U12	12	7.0~13.8	0.50	8000	0.91	32.10	12.40	0.49	49.5
HD6020L24	24	14.0~27.6	0.09	3000	0.36	12.70	1.70	0.07	24.0
HD6020M24	24	14.0~27.6	0.14	4000	0.48	16.90	3.10	0.12	30.5
HD6020H24	24	14.0~27.6	0.18	5000	0.58	20.50	4.70	0.19	37.0
HD6020U24	24	14.0~27.6	0.30	8000	0.91	32.10	12.40	0.49	49.5
HD6020L48	48	28.0~56.0	0.06	3000	0.36	12.70	1.70	0.07	24.0
HD6020M48	48	28.0~56.0	0.09	4000	0.48	16.90	3.10	0.12	30.5
HD6020H48	48	28.0~56.0	0.14	5000	0.58	20.50	4.70	0.19	37.0
HD6020U48	48	28.0~56.0	0.18	8000	0.91	32.10	12.40	0.49	49.5

Note:

Bearing Type: Ball Bearing-----B, Sleeve Bearing-----S, Hydraulic Bearing-----R

Function description:

A:3rd Pulse Wire F:Techometer / Speed Sensor R:Alarm/high
 Q:Alarm/low S:Alarm/high-low W:PWM Control input