

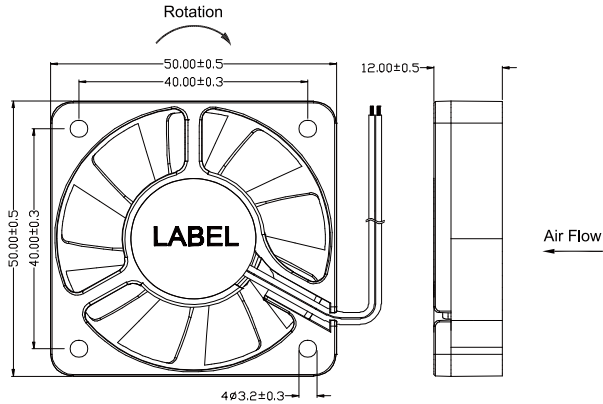
# HD5010 SERIES

## 50x50x10 mm

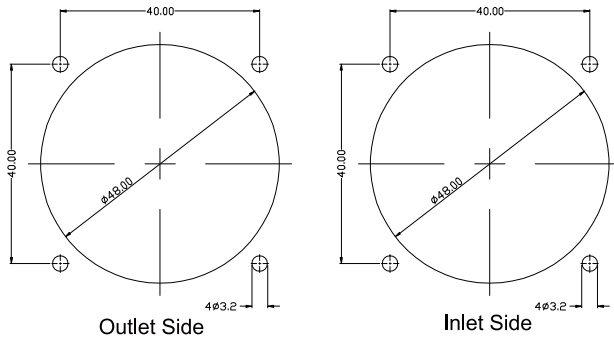
- \* Frame: Plastic (Black) 94V-0
- \* Impeller: Plastic (Black) 94V-0
- \* Lead Wires: UL type or Equivalent, AWG#28, Red +, Black -
- \* Operating Temperature: -25°C~+70°C, 5%~90%RH
- \* Storage Temperature: -40°C~+80°C, 5%~90%RH
- \* Weight: 20.0g



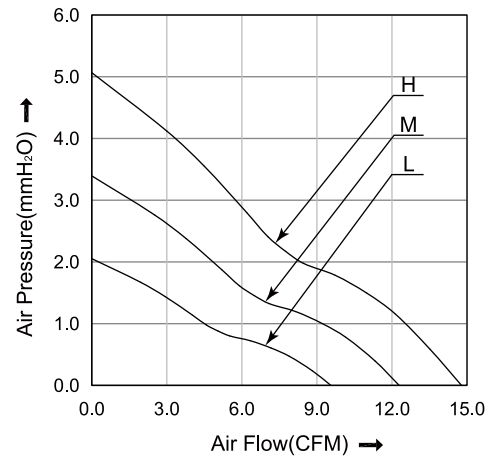
### ■ Dimensions(Unit:mm)



### ■ Mounting panel cutout(Unit:mm)



### ■ P&Q Curve



### ■ Specifications

Model No.	Rated Voltage	Operating Voltage	Rated Current	Speed	Max. Air Flow		Max. Static Pressure		Noise
	VDC	VDC	A	RPM	m <sup>3</sup> /min	CFM	mmH <sub>2</sub> O	inH <sub>2</sub> O	
HD5010L05	5	4.0~5.75	0.13	3500	0.25	9.00	2.00	0.08	20.0
HD5010M05	5	4.0~5.75	0.18	4500	0.35	12.30	3.40	0.13	26.0
HD5010H05	5	4.0~5.75	0.30	5500	0.42	14.70	5.00	0.20	30.5
HD5010L12	12	7.0~13.8	0.09	3500	0.25	9.00	2.00	0.08	20.0
HD5010M12	12	7.0~13.8	0.13	4500	0.35	12.30	3.40	0.13	26.0
HD5010H12	12	7.0~13.8	0.18	5500	0.42	14.70	5.00	0.20	30.5
HD5010L24	24	14.0~27.6	0.06	3500	0.25	9.00	2.00	0.08	20.5
HD5010M24	24	14.0~27.6	0.09	4500	0.35	12.30	3.40	0.13	26.0
HD5010H24	24	14.0~27.6	0.13	5500	0.42	14.70	5.00	0.20	30.5

Note:

Bearing Type: Ball Bearing-----B, Sleeve Bearing-----S, Hydraulic Bearing-----R

Function description:

A:3rd Pulse Wire      F:Tachometer / Speed Sensor      R:Alarm/high

Q:Alarm/low    S:Alarm/high-low      W:PWM Control input