

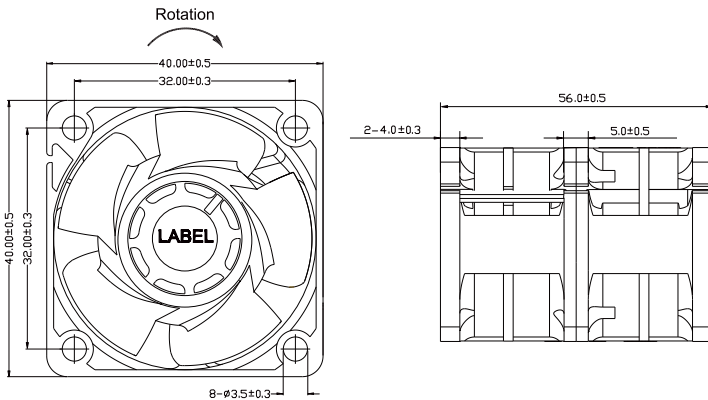
HD4056 SERIES

40x40x56 mm

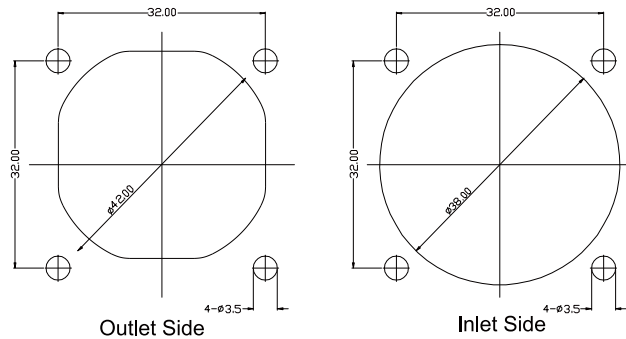
- * Frame: Plastic (Black) 94V-0
- * Impeller: Plastic (Black) 94V-0
- * Lead Wires: UL type or Equivalent, AWG#28, Red +, Black -
- * Operating Temperature: -25°C~+70°C, 5%~90%RH
- * Storage Temperature: -40°C~+80°C, 5%~90%RH
- * Weight: 17.0g



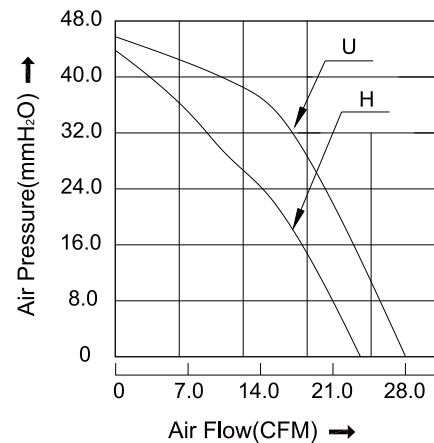
■ Dimensions(Unit:mm)



■ Mounting panel cutout(Unit:mm)



■ P&Q Curve



■ Specifications

Model No.	Rated Voltage	Operating Voltage	Rated Current	Speed	Max. Air Flow		Max. Static Pressure		Noise
	VDC	VDC	A	RPM	m ³ /min	CFM	mmH ₂ O	inH ₂ O	dB
HD4056H12	12	7.0~13.2	1.02	16200/7800	0.659	23.29	44.41	1.748	58.5
HD4056U12	12	7.0~13.2	1.40	16200/12000	0.762	26.92	45.76	1.802	62.5

Note:

Bearing Type: Ball Bearing-----B, Sleeve Bearing-----S, Hydraulic Bearing-----R

Function description:

A:3rd Pulse Wire

F:Techometer / Speed Sensor

R:Alarm/high

Q:Alarm/low S:Alarm/high-low

W:PWM Control input