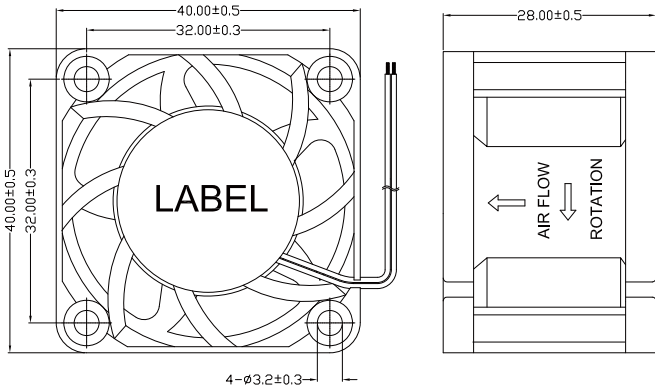


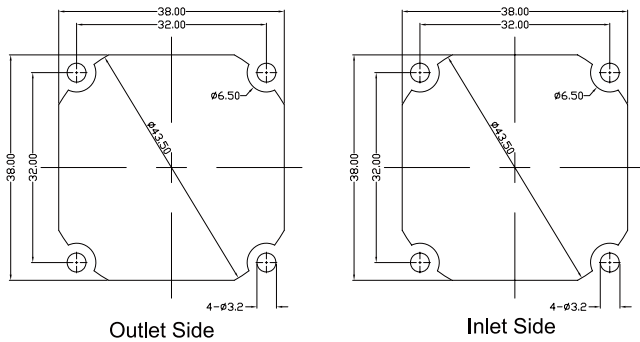
40x40x28 mm

- * Frame: Plastic (Black) 94V-0
- * Impeller: Plastic (Black) 94V-0
- * Lead Wires: UL type or Equivalent,AWG#28,Red +,Black -
- * Operating Temperature: -25°C~+70°C, 5%~90%RH
- * Storage Temperature: -40°C~+80°C, 5%~90%RH
- * Weight: 26.0g

■ Dimensions(Unit:mm)



■ Mounting panel cutout(Unit:mm)



■ Specifications

Model No.	Rated Voltage	Operating Voltage	Rated Current	Speed	Max. Air Flow		Max. Static Pressure		Noise
	VDC	VDC	A	RPM	m ³ /min	CFM	mmH ₂ O	inH ₂ O	dB
HD4028L05	5	4.0~5.75	0.40	9000	0.24	13.70	12.60	0.41	38.30
HD4028M05	5	4.0~5.75	0.60	12000	0.30	16.15	18.77	0.79	42.80
HD4028H05	5	4.0~5.75	0.90	15000	0.39	20.19	29.33	1.36	47.64
HD4028U05	5	4.0~5.75	1.45	20000	0.47	22.36	50.50	2.65	53.89
HD4028L12	12	7.0~13.8	0.23	9000	0.24	13.70	12.60	0.41	38.30
HD4028M12	12	7.0~13.8	0.35	12000	0.30	16.15	18.77	0.79	42.80
HD4028H12	12	7.0~13.8	0.55	15000	0.39	20.19	29.33	1.36	47.64
HD4028U12	12	7.0~13.8	0.80	20000	0.50	22.36	50.50	2.65	53.89
HD4028L24	24	14.0~27.6	0.15	9000	0.24	13.70	12.60	0.41	38.30
HD4028M24	24	14.0~27.6	0.20	12000	0.30	16.15	18.77	0.79	42.80
HD4028H24	24	14.0~27.6	0.33	15000	0.39	20.19	29.33	1.36	47.64
HD4028U24	24	14.0~27.6	0.50	20000	0.50	22.36	50.50	2.65	53.89

Note:

Bearing Type: Ball Bearing-----B, Sleeve Bearing-----S, Hydraulic Bearing-----R

Function description:

A:3rd Pulse Wire F:Techometer / Speed Sensor R:Alarm/high
 Q:Alarm/low S:Alarm/high-low W:PWM Control input



■ P&Q Curve

