

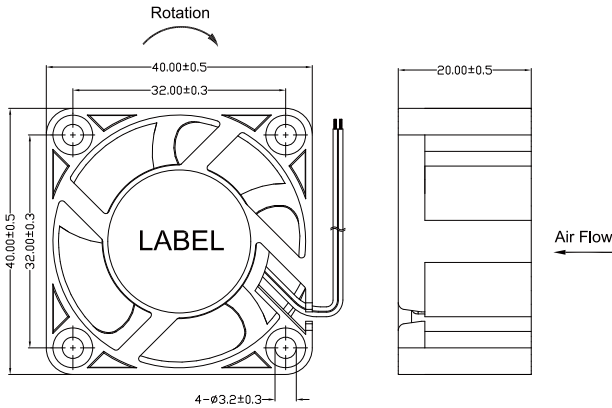
HD4020 SERIES

40x40x20 mm

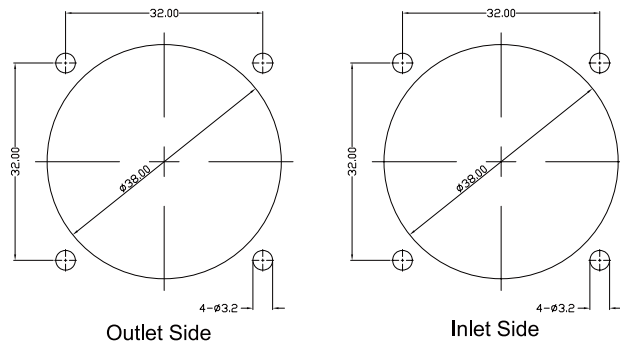
- * Frame: Plastic (Black) 94V-0
- * Impeller: Plastic (Black) 94V-0
- * Lead Wires: UL type or Equivalent, AWG#28, Red +, Black -
- * Operating Temperature: -25°C~+70°C, 5%~90%RH
- * Storage Temperature: -40°C~+80°C, 5%~90%RH
- * Weight: 24.0g



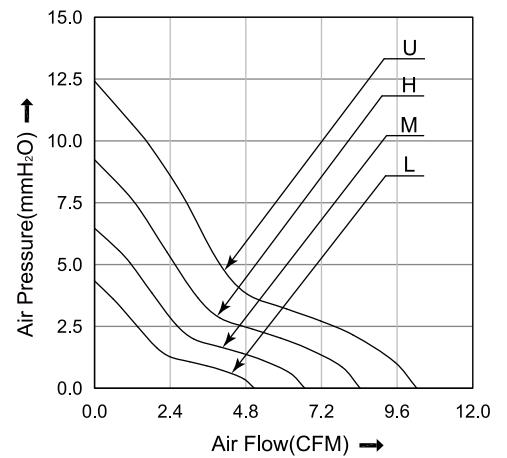
■ Dimensions(Unit:mm)



■ Mounting panel cutout(Unit:mm)



■ P&Q Curve



■ Specifications

Model No.	Rated Voltage	Operating Voltage	Rated Current	Speed	Max. Air Flow		Max. Static Pressure		Noise
	VDC	VDC	A	RPM	m ³ /min	CFM	mmH ₂ O	inH ₂ O	dB
HD4020L05	5	4.0~5.75	0.18	6000	0.14	4.90	4.40	0.17	29.2
HD4020M05	5	4.0~5.75	0.23	7500	0.19	6.70	6.40	0.25	33.5
HD4020H05	5	4.0~5.75	0.30	9000	0.24	8.40	9.10	0.36	38.8
HD4020L12	12	7.0~13.8	0.09	6000	0.14	4.90	4.40	0.17	29.2
HD4020M12	12	7.0~13.8	0.13	7500	0.19	6.70	6.40	0.25	33.5
HD4020H12	12	7.0~13.8	0.18	9000	0.24	8.40	9.10	0.36	38.8
HD4020U12	12	7.0~13.8	0.30	12000	0.29	10.20	12.40	0.49	46.4
HD4020L24	24	14.0~27.6	0.06	6000	0.14	4.90	4.40	0.17	29.2
HD4020M24	24	14.0~27.6	0.09	7500	0.19	6.70	6.40	0.25	33.5
HD4020H24	24	14.0~27.6	0.13	9000	0.24	8.40	9.10	0.36	38.8
HD4020U24	24	14.0~27.6	0.18	12000	0.29	10.20	12.40	0.49	46.4

Note:

Bearing Type: Ball Bearing-----B, Sleeve Bearing-----S, Hydraulic Bearing-----R

Function description:

A:3rd Pulse Wire F:Techometer / Speed Sensor R:Alarm/high
Q:Alarm/low S:Alarm/high-low W:PWM Control input