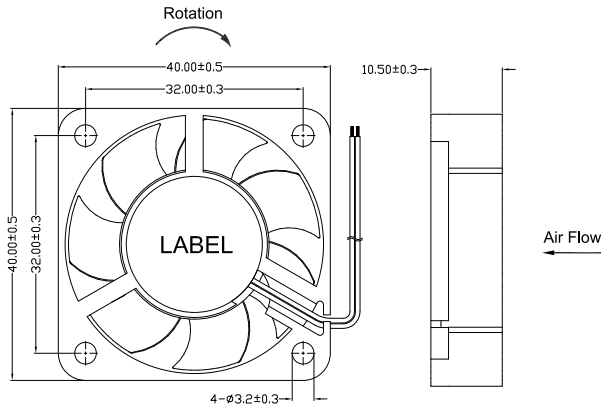


HD4010 SERIES

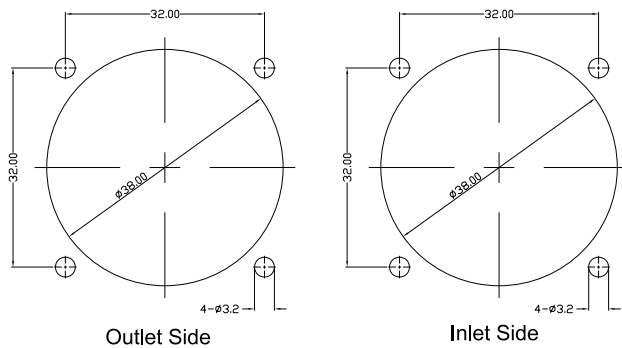
40x40x10 mm

- * Frame: Plastic (Black) 94V-0
- * Impeller: Plastic (Black) 94V-0
- * Lead Wires: UL type or Equivalent, AWG#28, Red +, Black -
- * Operating Temperature: -25°C~+70°C, 5%~90%RH
- * Storage Temperature: -40°C~+80°C, 5%~90%RH
- * Weight: 16.0g

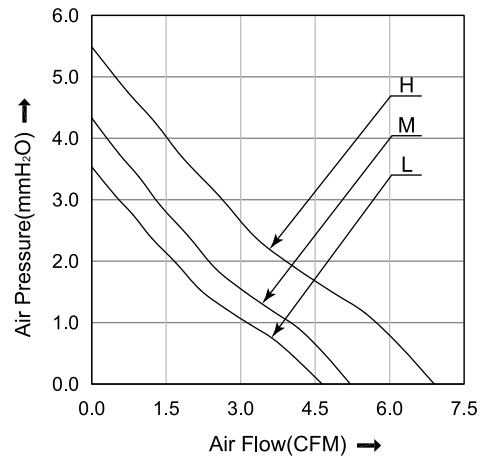
■ Dimensions(Unit:mm)



■ Mounting panel cutout(Unit:mm)



■ P&Q Curve



■ Specifications

Model No.	Rated Voltage	Operating Voltage	Rated Current	Speed	Max. Air Flow		Max. Static Pressure		Noise
	VDC	VDC	A	RPM	m ³ /min	CFM	mmH ₂ O	inH ₂ O	dB
HD4010L05	5	4.0~5.75	0.18	5000	0.13	4.60	3.50	0.14	24.7
HD4010M05	5	4.0~5.75	0.25	6000	0.15	5.20	4.30	0.17	29.0
HD4010H05	5	4.0~5.75	0.35	7000	0.20	6.90	5.50	0.22	34.5
HD4010L12	12	7.0~13.8	0.09	5000	0.13	4.60	3.50	0.14	24.7
HD4010M12	12	7.0~13.8	0.13	6000	0.15	5.20	4.30	0.17	29.0
HD4010H12	12	7.0~13.8	0.18	7000	0.20	6.90	5.50	0.22	34.5
HD4010L24	24	14.0~27.6	0.04	5000	0.13	4.60	3.50	0.14	24.7
HD4010M24	24	14.0~27.6	0.06	6000	0.15	5.20	4.30	0.17	29.0
HD4010H24	24	14.0~27.6	0.09	7000	0.20	6.90	5.50	0.22	34.5

Note:

Bearing Type: Ball Bearing-----B, Sleeve Bearing-----S, Hydraulic Bearing-----R

Function description:

A:3rd Pulse Wire

F:Techometer / Speed Sensor

R:Alarm/high

Q:Alarm/low S:Alarm/high-low

W:PWM Control input