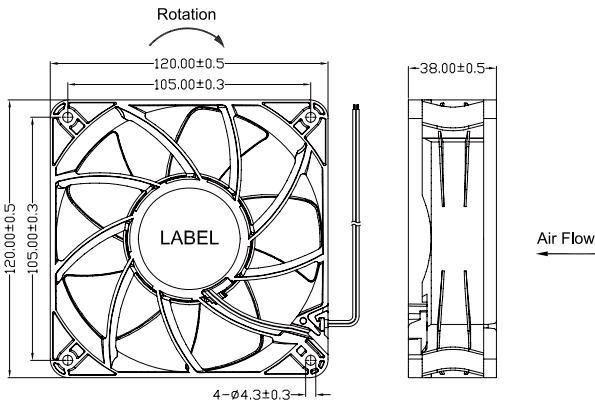


## 120x120x38 mm

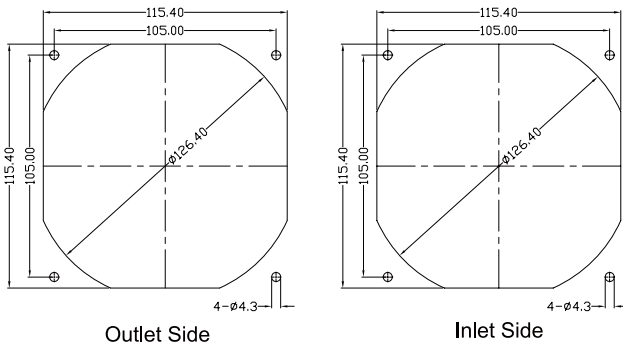
- \* Frame: Plastic (Black) 94V-0
- \* Impeller: Plastic (Black) 94V-0
- \* Lead Wires: UL type or Equivalent,AWG#28,Red +,Black -
- \* Operating Temperature: -25°C~+70°C, 5%~90%RH
- \* Storage Temperature: -40°C~+80°C, 5%~90%RH
- \* Weight: 320.0g



### ■ Dimensions(Unit:mm)



### ■ Mounting panel cutout(Unit:mm)



### ■ Specifications

Model No.	Rated Voltage	Operating Voltage	Rated Current	Speed	Max. Air Flow		Max. Static Pressure		Noise
	VDC	VDC	A	RPM	m <sup>3</sup> /min	CFM	mmH <sub>2</sub> O	inH <sub>2</sub> O	dB
HD1238L12	12	7.0~13.8	0.50	2500	3.29	116.05	7.30	0.29	42.5
HD1238M12	12	7.0~13.8	0.80	3000	4.12	145.55	9.60	0.38	48.6
HD1238H12	12	7.0~13.8	1.20	3600	5.21	184.16	15.05	0.59	53.1
HD1238U12	12	7.0~13.8	2.00	4200	6.18	218.26	20.36	0.80	57.5
HD1238L24	24	14.0~27.6	0.23	2500	3.29	116.05	7.30	0.29	42.5
HD1238M24	24	14.0~27.6	0.40	3000	4.12	145.55	9.60	0.38	48.6
HD1238H24	24	14.0~27.6	0.65	3600	5.21	184.16	15.05	0.59	53.1
HD1238U24	24	14.0~27.6	1.20	4200	6.18	218.26	20.36	0.80	57.5
HD1238L48	48	28.0~56.0	0.14	2500	3.29	116.05	7.30	0.29	42.5
HD1238M48	48	28.0~56.0	0.21	3000	4.12	145.55	9.60	0.38	48.6
HD1238H48	48	28.0~56.0	0.35	3600	5.21	184.16	15.05	0.59	53.1
HD1238U48	48	28.0~56.0	0.60	4200	6.18	218.26	20.36	0.80	57.5

Note:

Bearing Type: Ball Bearing-----B, Sleeve Bearing-----S, Hydraulic Bearing-----R

Function description:

A:3rd Pulse Wire                      F:Techometer / Speed Sensor                      R:Alarm/high

Q:Alarm/low    S:Alarm/high-low                      W:PWM Control input

### ■ P&Q Curve

