

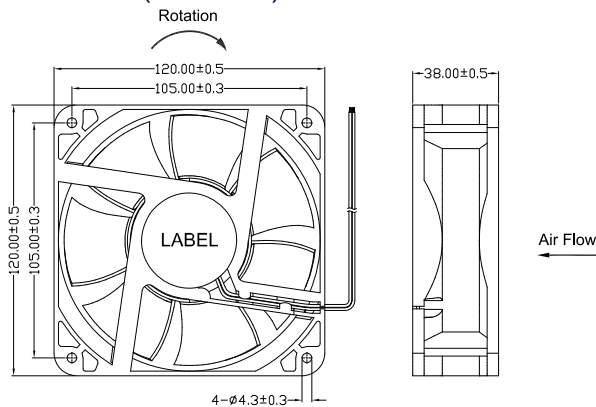
HD1238 SERIES

120x120x38 mm

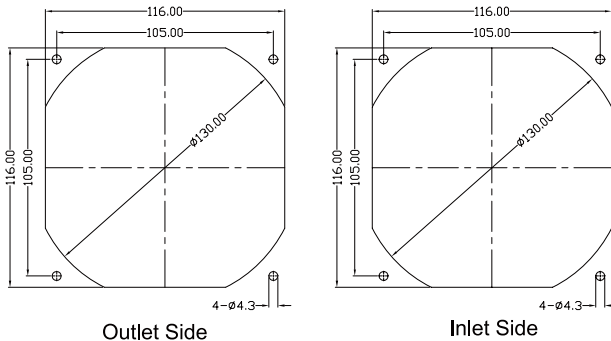
- * Frame: Plastic (Black) 94V-0
- * Impeller: Plastic (Black) 94V-0
- * Lead Wires: UL type or Equivalent, AWG#28, Red +, Black -
- * Operating Temperature: -25°C~+70°C, 5%~90%RH
- * Storage Temperature: -40°C~+80°C, 5%~90%RH
- * Weight: 280.0g



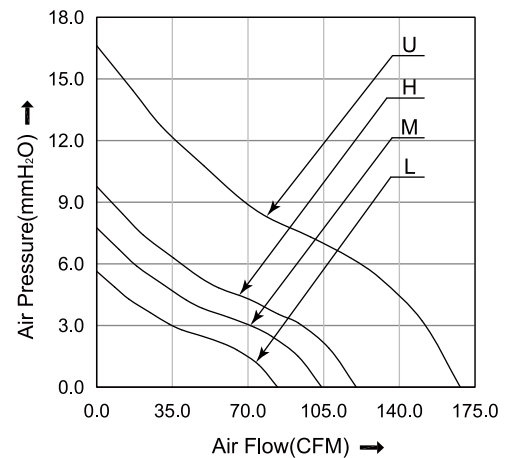
■ Dimensions(Unit:mm)



■ Mounting panel cutout(Unit:mm)



■ P&Q Curve



■ Specifications

Model No.	Rated Voltage	Operating Voltage	Rated Current	Speed	Max. Air Flow		Max. Static Pressure		Noise
	VDC	VDC	A	RPM	m³/min	CFM	mmH2O	inH2O	dB
HD1238L12	12	7.0~13.8	0.30	2200	2.37	83.70	5.60	0.22	35.4
HD1238M12	12	7.0~13.8	0.45	2800	2.95	104.10	7.70	0.30	41.8
HD1238H12	12	7.0~13.8	0.60	3200	3.40	120.10	9.70	0.38	45.3
HD1238U12	12	7.0~13.8	1.40	4500	4.76	168.20	16.60	0.65	54.5
HD1238L24	24	14.0~27.6	0.14	2200	2.37	83.70	5.60	0.22	35.4
HD1238M24	24	14.0~27.6	0.26	2800	2.95	104.10	7.70	0.30	41.8
HD1238H24	24	14.0~27.6	0.35	3200	3.40	120.10	9.70	0.38	45.3
HD1238U24	24	14.0~27.6	0.70	4500	4.76	168.20	16.60	0.65	54.5
HD1238L48	48	28.0~56.0	0.09	2200	2.37	83.70	5.60	0.22	35.4
HD1238M48	48	28.0~56.0	0.13	2800	2.95	104.10	7.70	0.30	41.8
HD1238H48	48	28.0~56.0	0.18	3200	3.40	120.10	9.70	0.38	45.3
HD1238U48	48	28.0~56.0	0.40	4500	4.76	168.20	16.60	0.65	54.5

Note:

Bearing Type: Ball Bearing-----B, Sleeve Bearing-----S, Hydraulic Bearing-----R

Function description:

A:3rd Pulse Wire

F:Techometer / Speed Sensor

R:Alarm/high

Q:Alarm/low S:Alarm/high-low

W:PWM Control input