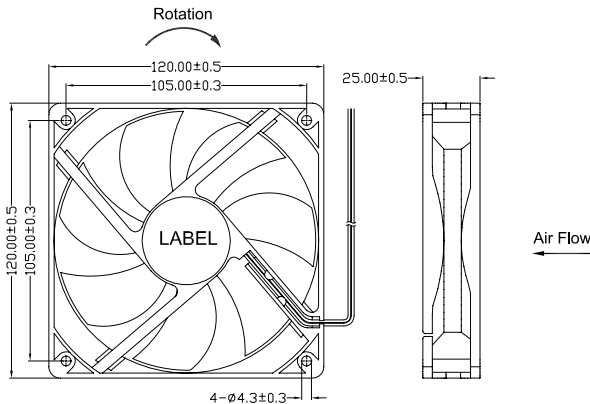


120x120x25 mm

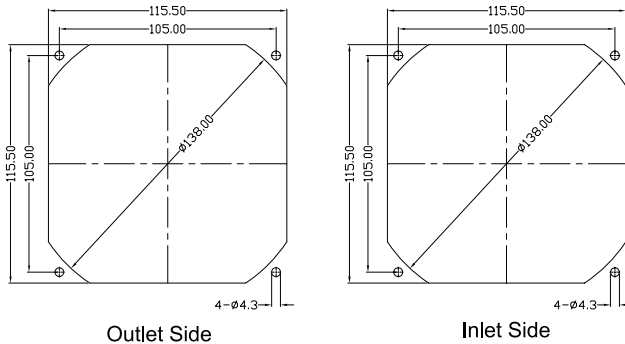
- * Frame: Plastic (Black) 94V-0
- * Impeller: Plastic (Black) 94V-0
- * Lead Wires: UL type or Equivalent,AWG#28,Red +,Black -
- * Operating Temperature: -25°C~+70°C, 5%~90%RH
- * Storage Temperature: -40°C~+80°C, 5%~90%RH
- * Weight: 116.0g



■ Dimensions(Unit:mm)



■ Mounting panel cutout(Unit:mm)



■ Specifications

| Model No. | Rated Voltage | Operating Voltage | Rated Current | Speed | Max. Air Flow | | Max. Static Pressure | | Noise |
|-----------|---------------|-------------------|---------------|-------|---------------------|-------|----------------------|--------------------|-------|
| | VDC | VDC | A | RPM | m ³ /min | CFM | mmH ₂ O | inH ₂ O | dB |
| HD1225L05 | 5 | 4.0~5.75 | 0.40 | 1500 | 1.61 | 56.90 | 1.90 | 0.07 | 29.0 |
| HD1225M05 | 5 | 4.0~5.75 | 0.60 | 1800 | 1.93 | 68.30 | 2.80 | 0.11 | 34.0 |
| HD1225L12 | 12 | 7.0~13.8 | 0.23 | 1500 | 1.61 | 56.90 | 1.90 | 0.07 | 29.0 |
| HD1225M12 | 12 | 7.0~13.8 | 0.30 | 1800 | 1.93 | 68.30 | 2.80 | 0.11 | 34.0 |
| HD1225H12 | 12 | 7.0~13.8 | 0.40 | 2100 | 2.26 | 79.70 | 3.80 | 0.15 | 38.0 |
| HD1225L24 | 24 | 14.0~27.6 | 0.13 | 1500 | 1.61 | 56.90 | 1.90 | 0.07 | 29.0 |
| HD1225M24 | 24 | 14.0~27.6 | 0.18 | 1800 | 1.93 | 68.30 | 2.80 | 0.11 | 34.0 |
| HD1225H24 | 24 | 14.0~27.6 | 0.23 | 2100 | 2.26 | 79.70 | 3.80 | 0.15 | 38.0 |

Note:

Bearing Type: Ball Bearing-----B, Sleeve Bearing-----S, Hydraulic Bearing-----R

Function description:

A:3rd Pulse Wire F:Techometer / Speed Sensor R:Alarm/high
 Q:Alarm/low S:Alarm/high-low W:PWM Control input

■ P&Q Curve

