

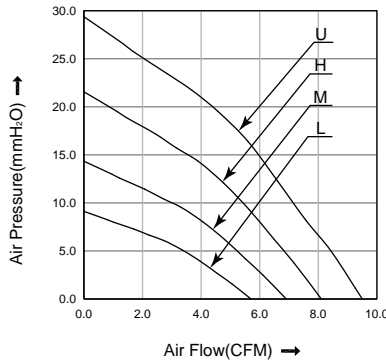
HB7515 SERIES

75x75x15 mm

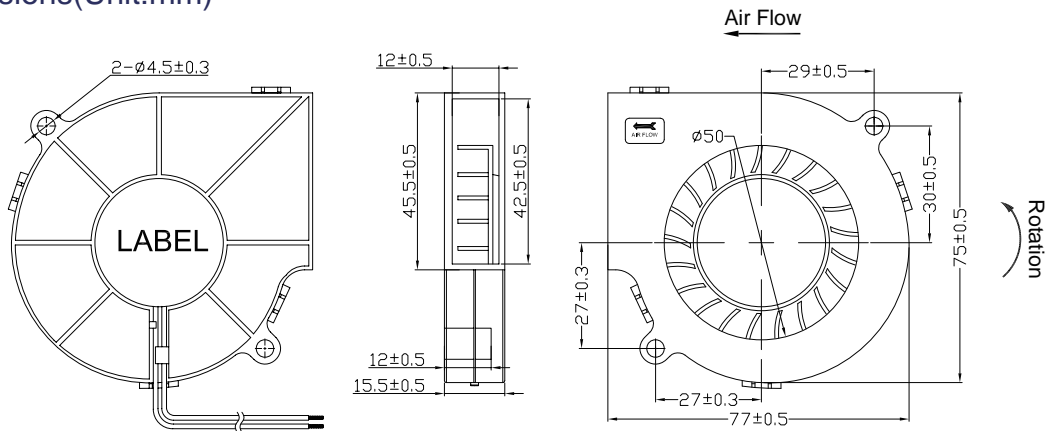
- * Frame: Plastic (Black) 94V-0
- * Impeller: Plastic (Black) 94V-0
- * Lead Wires: UL type or Equivalent, AWG#28, Red +, Black -
- * Operating Temperature: -25°C~+70°C, 5%~90%RH
- * Storage Temperature: -40°C~+80°C, 5%~90%RH
- * Weight: 60.0g



■ P&Q Curve



■ Dimensions(Unit:mm)



■ Specifications

Model No.	Rated Voltage	Operating Voltage	Rated Current	Speed	Max. Air Flow		Max. Static Pressure		Noise
	VDC	VDC	A	RPM	m ³ /min	CFM	mmH ₂ O	inH ₂ O	dB
HB7515L05	5	4.0~5.75	0.30	2500	0.16	5.70	9.10	0.36	29.7
HB7515M05	5	4.0~5.75	0.45	3200	0.20	6.90	14.30	0.56	36.5
HB7515H05	5	4.0~5.75	0.65	3600	0.21	7.50	18.80	0.74	39.8
HB7515L12	12	7.0~13.8	0.14	2500	0.16	5.70	9.10	0.36	29.7
HB7515M12	12	7.0~13.8	0.23	3200	0.20	6.90	14.30	0.56	36.5
HB7515H12	12	7.0~13.8	0.35	3800	0.23	8.10	21.50	0.85	41.8
HB7515U12	12	7.0~13.8	0.45	4200	0.27	9.50	29.30	1.15	47.2
HB7515L24	24	14.0~27.6	0.09	2500	0.16	5.70	9.10	0.36	29.7
HB7515M24	24	14.0~27.6	0.14	3200	0.20	6.90	14.30	0.56	36.5
HB7515H24	24	14.0~27.6	0.18	3800	0.23	8.10	21.50	0.85	41.8
HB7515U24	24	14.0~27.6	0.25	4200	0.27	9.50	29.30	1.15	47.2

Note:

Bearing Type: Ball Bearing-----B, Sleeve Bearing-----S, Hydraulic Bearing-----R

Function description:

A:3rd Pulse Wire F:Techometer / Speed Sensor R:Alarm/high
 Q:Alarm/low S:Alarm/high-low W:PWM Control input