

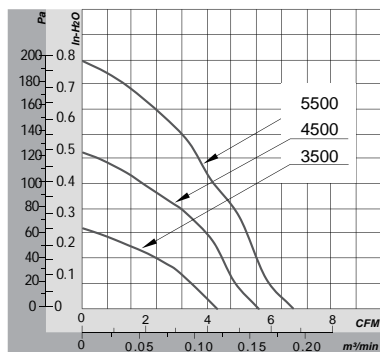
# HB6018 SERIES

## 61x62x18 mm

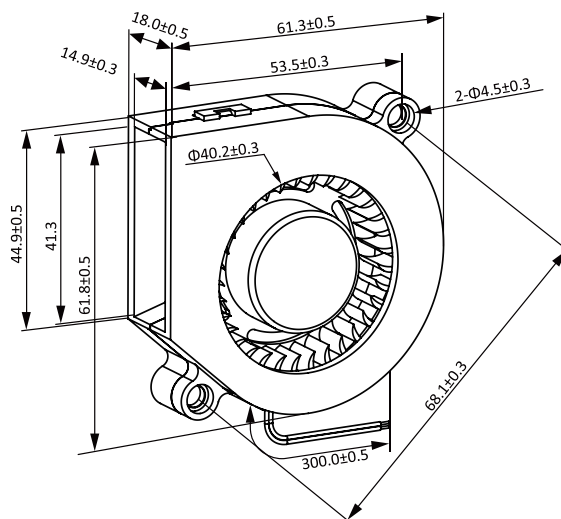
- \* Frame: Plastic (Black) 94V-0
- \* Impeller: Plastic (Black) 94V-0
- \* Lead Wires: UL type or Equivalent, AWG#28, Red +, Black -
- \* Operating Temperature: -25°C~+70°C, 5%~90%RH
- \* Storage Temperature: -40°C~+80°C, 5%~90%RH
- \* Weight: 41.0g



### ■ P&Q Curve



### ■ Dimensions(Unit:mm)



### ■ Specifications

Model No.	Rated Voltage	Operating Voltage	Rated Current	Speed	Max. Air Flow		Max. Static Pressure		Noise
	VDC	VDC	A	RPM	m³/min	CFM	mmH <sub>2</sub> O	inH <sub>2</sub> O	dB
HB6018L12	12	7.0~13.8	0.15	3500	0.12	4.19	6.35	0.25	36.1
HB6018M12	12	7.0~13.8	0.20	4500	0.16	5.60	12.19	0.48	43.6
HB6018H12	12	7.0~13.8	0.30	5500	0.19	6.73	20.00	0.79	48.0
HB6018L24	24	14.0~27.6	0.08	3500	0.12	4.19	6.35	0.25	36.1
HB6018M24	24	14.0~27.6	0.12	4500	0.16	5.60	12.19	0.48	43.6
HB6018H24	24	14.0~27.6	0.20	5500	0.19	6.73	20.00	0.79	48.0

Note:

Bearing Type: Ball Bearing-----B, Sleeve Bearing-----S, Hydraulic Bearing-----R

Function description:

A:3rd Pulse Wire                      F:Techometer / Speed Sensor                      R:Alarm/high

Q:Alarm/low    S:Alarm/high-low                      W:PWM Control input