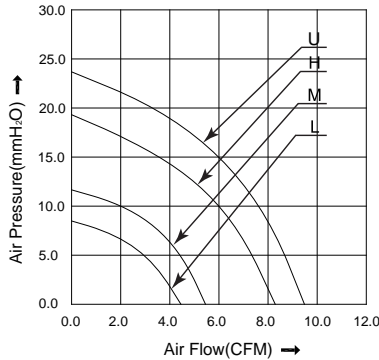


60x60x15 mm

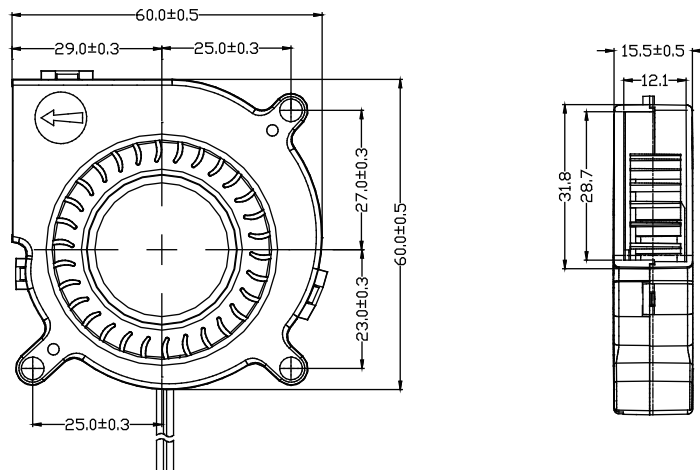
- * Frame: Plastic (Black) 94V-0
- * Impeller: Plastic (Black) 94V-0
- * Lead Wires: UL type or Equivalent, AWG#28, Red +, Black -
- * Operating Temperature: -25°C~+70°C, 5%~90%RH
- * Storage Temperature: -40°C~+80°C, 5%~90%RH
- * Weight: 36.0g



■ P&Q Curve



■ Dimensions (Unit:mm)



■ Specifications

Model No.	Rated Voltage	Operating Voltage	Rated Current	Speed	Max. Air Flow		Max. Static Pressure		Noise
	VDC	VDC	A	RPM	m ³ /min	CFM	mmH ₂ O	inH ₂ O	dB
HB6015L05	5	4.0~5.75	0.25	3000	0.12	4.16	7.11	0.28	32.8
HB6015M05	5	4.0~5.75	0.38	3800	0.13	4.73	10.16	0.40	36.9
HB6015H05	5	4.0~5.75	0.60	4800	0.23	8.17	19.00	0.75	42.9
HB6015L12	12	7.0~13.8	0.15	3000	0.12	4.16	7.11	0.28	32.8
HB6015M12	12	7.0~13.8	0.23	3800	0.13	4.73	10.16	0.40	36.9
HB6015H12	12	7.0~13.8	0.30	4800	0.23	8.17	19.00	0.75	42.9
HB6015U12	12	7.0~13.8	0.38	5500	0.25	8.75	24.63	0.97	46.2
HB6015L24	24	14.0~27.6	0.07	3000	0.12	4.16	7.11	0.28	32.8
HB6015M24	24	14.0~27.6	0.12	3800	0.13	4.73	10.16	0.40	36.9
HB6015H24	24	14.0~27.6	0.18	4800	0.23	8.17	19.00	0.75	42.9
HB6015U24	24	14.0~27.6	0.23	5500	0.25	8.75	24.63	0.97	46.2

Note:

Bearing Type: Ball Bearing-----B, Sleeve Bearing-----S, Hydraulic Bearing-----R

Function description:

A:3rd Pulse Wire F:Techometer / Speed Sensor R:Alarm/high

Q:Alarm/low S:Alarm/high-low W:PWM Control input