

HB6010 SERIES

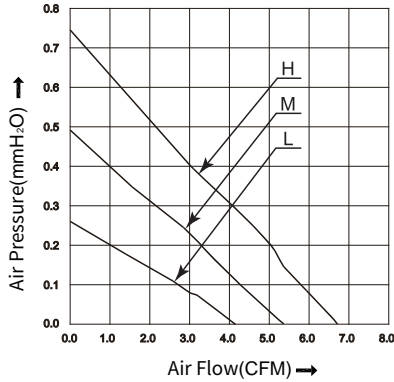
60x60x10 mm

- * Frame: Plastic (Black) 94V-0
- * Impeller: Plastic (Black) 94V-0
- * Lead Wires: UL type or Equivalent,AWG#28,Red +,Black -
- * Operating Temperature: -25°C~+70°C, 5%~90%RH
- * Storage Temperature: -40°C~+80°C, 5%~90%RH
- * Weight: 36.0g

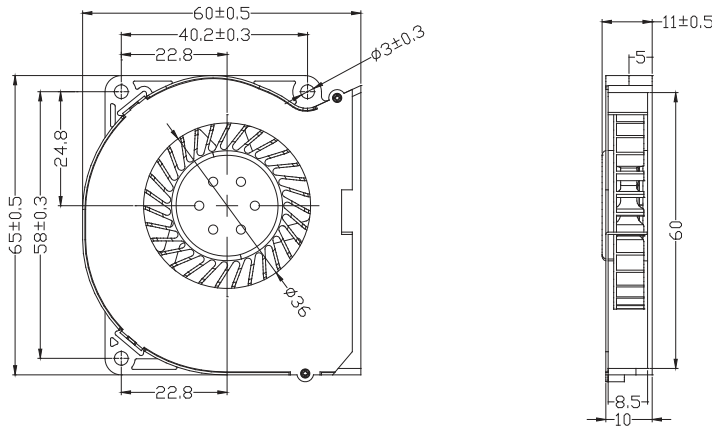
客订



■ P&Q Curve



■ Dimensions(Unit:mm)



■ Specifications

Model No.	Rated Voltage	Operating Voltage	Rated Current	Speed	Max. Air Flow		Max. Static Pressure		Noise
	VDC	VDC	A	RPM	m ³ /min	CFM	mmH ₂ O	inH ₂ O	
HB6010L05	5	4.0~5.75	0.25	3500	0.12	4.15	6.60	0.26	25.8
HB6010M05	5	4.0~5.75	0.45	4500	0.15	5.36	12.19	0.48	33.4
HB6010H05	5	4.0~5.75	0.70	5500	0.19	6.69	18.50	0.73	40.0
HB6010L12	12	7.0~13.8	0.10	3500	0.12	4.15	6.60	0.26	25.8
HB6010M12	12	7.0~13.8	0.18	4500	0.15	5.36	12.19	0.48	33.4
HB6010H12	12	7.0~13.8	0.30	5500	0.19	6.69	18.50	0.73	40.0
HB6010L24	24	14.0~27.6	0.06	3500	0.12	4.15	6.60	0.26	25.8
HB6010M24	24	14.0~27.6	0.13	4500	0.15	5.36	12.19	0.48	33.4
HB6010H24	24	14.0~27.6	0.18	5500	0.19	6.69	18.50	0.73	40.0

Note:

Bearing Type: Ball Bearing-----B, Sleeve Bearing-----S, Hydraulic Bearing-----R

Function description:

A:3rd Pulse Wire

F:Tachometer / Speed Sensor

R:Alarm/high

Q:Alarm/low S:Alarm/high-low

W:PWM Control input