

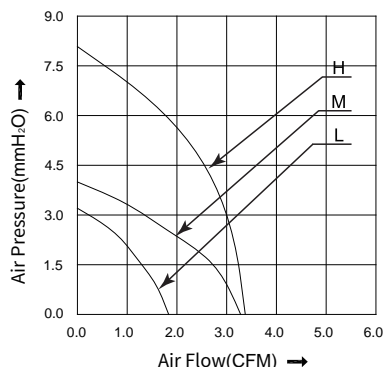
# HB5008 SERIES

## 50x50x08 mm

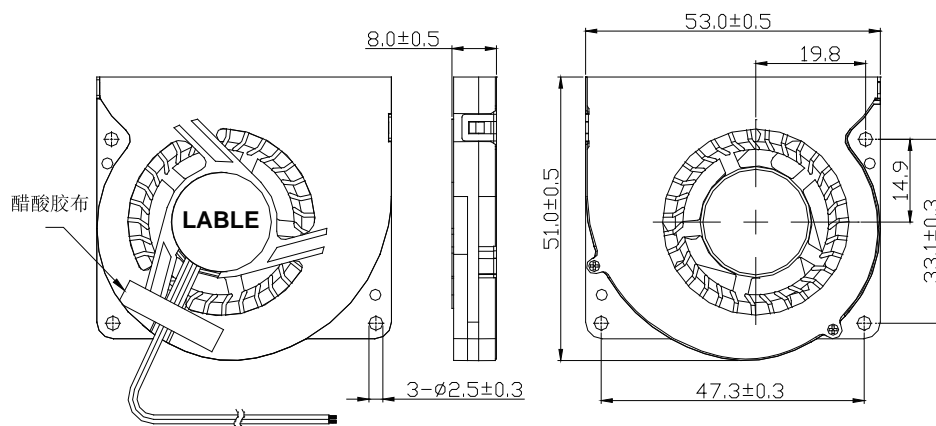
- \* Frame: Plastic (Black) 94V-0
- \* Impeller: Plastic (Black) 94V-0
- \* Lead Wires: UL type or Equivalent, AWG#28, Red +, Black -
- \* Operating Temperature: -25°C~+70°C, 5%~90%RH
- \* Storage Temperature: -40°C~+80°C, 5%~90%RH
- \* Weight: 20.0g



### ■ P&Q Curve



### ■ Dimensions(Unit:mm)



### ■ Specifications

Model No.	Rated Voltage	Operating Voltage	Rated Current	Speed	Max. Air Flow		Max. Static Pressure		Noise
	VDC	VDC	A	RPM	m <sup>3</sup> /min	CFM	mmH <sub>2</sub> O	inH <sub>2</sub> O	dB
HB5008L05	5	4.0~5.75	0.09	3200	0.05	1.87	3.30	0.13	23.9
HB5008M05	5	4.0~5.75	0.15	3800	0.09	3.30	4.06	0.16	25.8
HB5008H05	5	4.0~5.75	0.22	4500	0.10	3.40	8.12	0.32	27.8
HB5008L12	12	7.0~13.8	0.05	3200	0.05	1.87	3.30	0.13	23.9
HB5008M12	12	7.0~13.8	0.07	3800	0.09	3.30	4.06	0.16	25.8
HB5008H12	12	7.0~13.8	0.10	4500	0.10	3.40	8.12	0.32	27.8

Note:

Bearing Type: Ball Bearing-----B, Sleeve Bearing-----S, Hydraulic Bearing-----R

Function description:

A:3rd Pulse Wire      F:Techometer / Speed Sensor      R:Alarm/high  
 Q:Alarm/low      S:Alarm/high-low      W:PWM Control input