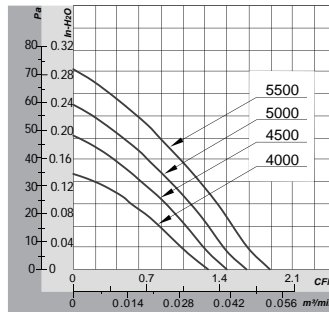


40x52x10 mm

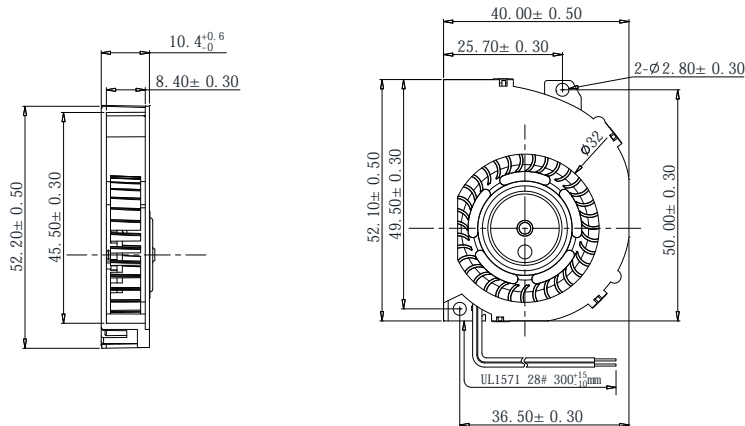
- * Frame: Plastic (Black) 94V-0
- * Impeller: Plastic (Black) 94V-0
- * Lead Wires: UL type or Equivalent, AWG#28, Red +, Black -
- * Operating Temperature: -25°C~+70°C, 5%~90%RH
- * Storage Temperature: -40°C~+80°C, 5%~90%RH
- * Weight: 21.0g



■ P&Q Curve



■ Dimensions(Unit:mm)



■ Specifications

Model No.	Rated Voltage	Operating Voltage	Rated Current	Speed	Max. Air Flow		Max. Static Pressure		Noise
	VDC	VDC	A	RPM	m ³ /min	CFM	mmH ₂ O	inH ₂ O	dB
HB4010L05	5	4.0~5.75	0.80	4000	0.04	1.33	3.55	0.14	24.1
HB4010M05	5	4.0~5.75	1.00	4500	0.04	1.51	4.82	0.19	26.4
HB4010H05	5	4.0~5.75	1.15	5000	0.05	1.65	6.09	0.24	28.3
HB4010L12	12	7.0~13.8	1.44	4000	0.04	1.51	3.55	0.14	26.4
HB4010M12	12	7.0~13.8	1.80	4500	0.05	1.65	4.82	0.19	28.3
HB4010H12	12	7.0~13.8	2.16	5000	0.05	1.82	6.09	0.24	30.4
HB4010L24	24	14.0~27.6	0.03	4000	0.04	1.33	3.55	0.14	24.1
HB4010M24	24	14.0~27.6	0.05	4500	0.04	1.51	4.82	0.19	26.4
HB4010H24	24	14.0~27.6	0.07	5000	0.05	1.65	6.09	0.24	28.3

Note:

Bearing Type: Ball Bearing-----B, Sleeve Bearing-----S, Hydraulic Bearing-----R

Function description:

A:3rd Pulse Wire

F:Techometer / Speed Sensor

R:Alarm/high

Q:Alarm/low S:Alarm/high-low

W:PWM Control input