

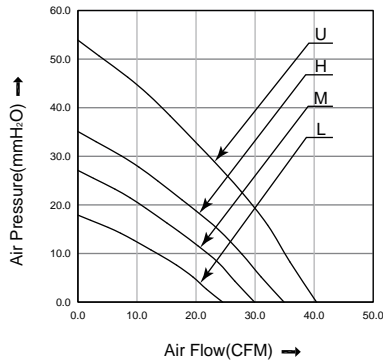
HB1232 X SERIES

120x120x32 mm

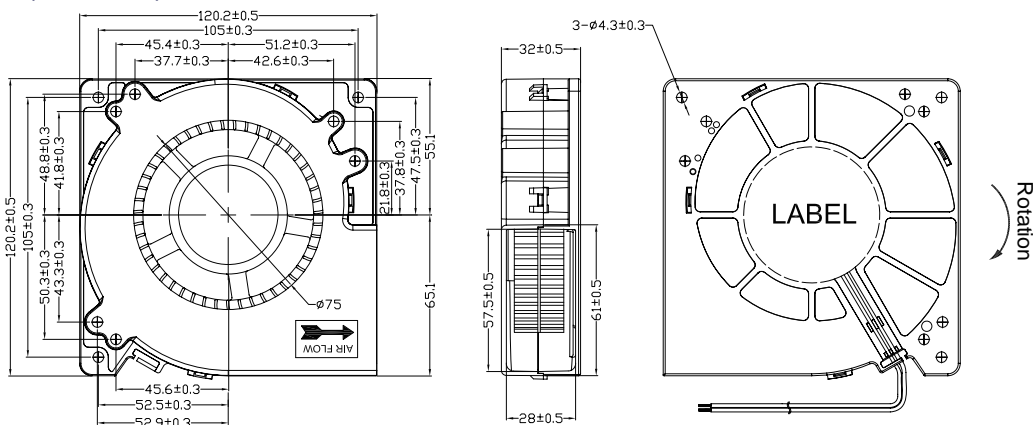
- * Frame: Plastic (Black) 94V-0
- * Impeller: Plastic (Black) 94V-0
- * Lead Wires: UL type or Equivalent,AWG#28,Red +,Black -
- * Operating Temperature: -25°C~+70°C, 5%~90%RH
- * Storage Temperature: -40°C~+80°C, 5%~90%RH
- * Weight: 236.0g



■ P&Q Curve



■ Dimensions(Unit:mm)



■ Specifications

Model No.	Rated Voltage	Operating Voltage	Rated Current	Speed	Max. Air Flow		Max. Static Pressure		Noise
	VDC	VDC	A	RPM	m ³ /min	CFM	mmH ₂ O	inH ₂ O	dB
HB1232L12	12	7.0~13.8	0.50	2400	0.69	24.50	17.90	0.71	45.1
HB1232M12	12	7.0~13.8	0.80	2800	0.85	29.90	27.10	1.07	51.1
HB1232H12	12	7.0~13.8	1.20	3200	0.99	34.90	35.10	1.38	54.2
HB1232U12	12	7.0~13.8	2.00	3800	1.14	40.40	53.90	2.12	58.9
HB1232L24	24	14.0~27.6	0.30	2400	0.69	24.50	17.90	0.71	45.1
HB1232M24	24	14.0~27.6	0.40	2800	0.85	29.90	27.10	1.07	51.1
HB1232H24	24	14.0~27.6	0.60	3200	0.99	34.90	35.10	1.38	54.2
HB1232U24	24	14.0~27.6	1.00	3800	1.14	40.40	53.90	2.12	58.9
HB1232L48	48	28.0~56.0	0.18	2400	0.69	24.50	17.90	0.71	45.1
HB1232M48	48	28.0~56.0	0.23	2800	0.85	29.90	27.10	1.07	51.1
HB1232H48	48	28.0~56.0	0.35	3200	0.99	34.90	35.10	1.38	54.2
HB1232U48	48	28.0~56.0	0.50	3800	1.14	40.40	53.90	2.12	58.9

Note:

Bearing Type: Ball Bearing-----B, Sleeve Bearing-----S, Hydraulic Bearing-----R

Function description:

A:3rd Pulse Wire F:Techometer / Speed Sensor R:Alarm/high
Q:Alarm/low S:Alarm/high-low W:PWM Control input