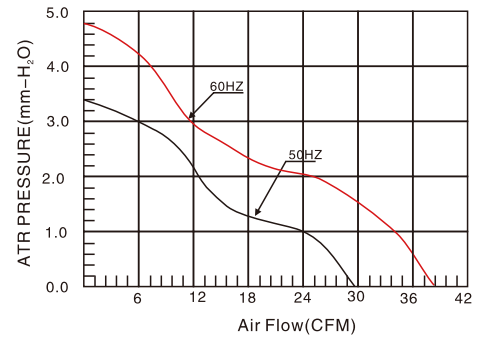
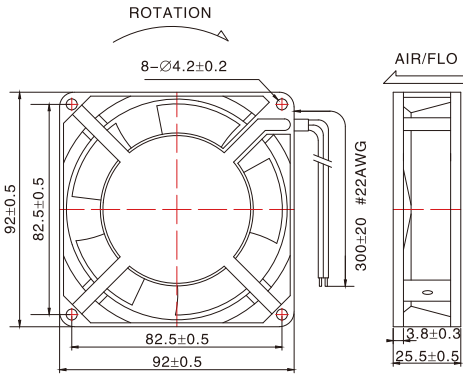


9225 尺寸/Size 92x92x25mm

AC Axial Flow Fan

★Dimensions Drawing(外观图)

★Characteristic Curves(特性曲线)



★Specifications(规格)

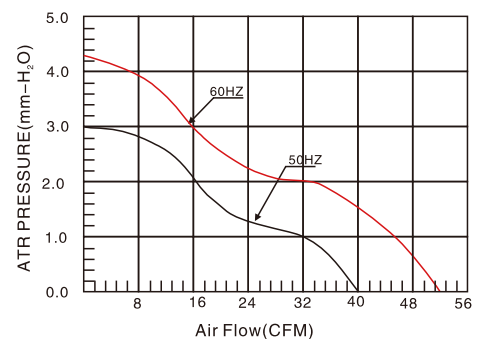
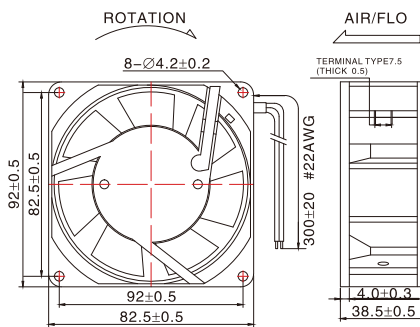
Model 型号	Bearing System 培林	Rated Voltage (V) 电压	Freq. (Hz) 频率	Current (A) 电流	Input Power (W) 功率	Speed (RPM) 转速	Air Flow (CFM) 风量	Static Pressure (mm-H ₂ O) 静压	Noise Level (dB-A) 噪音	Weight (g) 重量
HA9225S(B)1HL	Sleeve/Ball	110	50/60	0.15/0.13	17.0/15.0	2500/3000	24/29	4.5/6.5	33/35	280
HA9225S(B)1ML	Sleeve/Ball	110	50/60	0.11/0.10	13.0/10.0	2200/2600	21/25	3.0/3.3	29/33	280
HA9225S(B)2HL	Sleeve/Ball	220	50/60	0.09/0.08	17.0/15.0	2500/3000	24/29	4.5/6.5	33/35	280
HA9225S(B)2ML	Sleeve/Ball	220	50/60	0.06/0.05	13.0/10.0	2200/2600	21/25	3.0/3.3	29/33	280

9238 尺寸/Size 92x92x38mm

AC Axial Flow Fan

★Dimensions Drawing(外观图)

★Characteristic Curves(特性曲线)



★Specifications(规格)

Model 型号	Bearing System 培林	Rated Voltage (V) 电压	Freq. (Hz) 频率	Current (A) 电流	Input Power (W) 功率	Speed (RPM) 转速	Air Flow (CFM) 风量	Static Pressure (mm-H ₂ O) 静压	Noise Level (dB-A) 噪音	Weight (g) 重量
HA9238S(B)1HL	Sleeve/Ball	110	50/60	0.15/0.13	17.0/15.0	2400/2800	39/46	3.60/5.20	34/36	340
HA9238S(B)1ML	Sleeve/Ball	110	50/60	0.11/0.10	13.0/10.0	1900/2400	35/39	2.90/3.20	27/34	340
HA9238S(B)2HL	Sleeve/Ball	220	50/60	0.08/0.07	17.0/15.0	2400/2800	39/46	3.60/5.20	34/36	340
HA9238S(B)2ML	Sleeve/Ball	220	50/60	0.06/0.05	13.0/10.0	1900/2400	35/39	2.90/3.20	27/34	340