

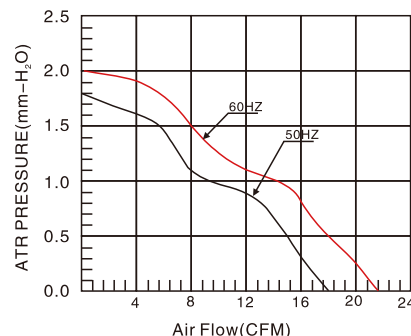
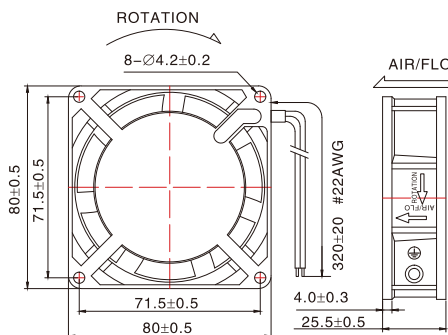
HA8025/8038 SERIES

8025 尺寸/Size 80x80x25mm

AC Axial Flow Fan

★Dimensions Drawing(外观图)

★Characteristic Curves(特性曲线)



★Specifications(规格)

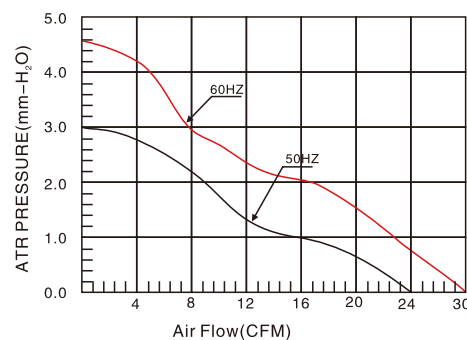
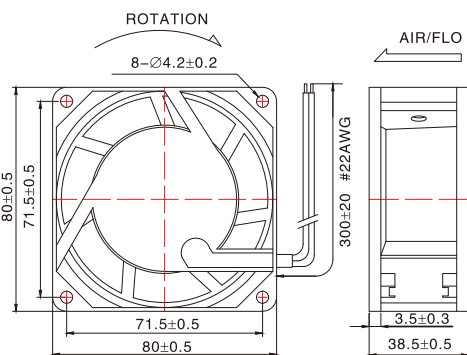
| Model 型号 | Bearing System 培林 | Rated Voltage (V) 电压 | Freq. (Hz) 频率 | Current (A) 电流 | Input Power (W) 功率 | Speed (RPM) 转速 | Air Flow (CFM) 风量 | Static Pressure (mm-H ₂ O) 静压 | Noise Level (dB-A) 噪音 | Weight (g) 重量 |
|---------------|----------------------|-------------------------|------------------|-------------------|-----------------------|-------------------|----------------------|---|--------------------------|------------------|
| HA8025S(B)1HL | Sleeve/Ball | 110 | 50/60 | 0.13/0.11 | 17.0/15.0 | 2600/3000 | 21/24 | 4.0/5.5 | 28.2/33 | 240 |
| HA8025S(B)1ML | Sleeve/Ball | 110 | 50/60 | 0.11/0.10 | 13.0/10.0 | 2300/2600 | 18/21 | 2.9/3.4 | 28.2/33 | 240 |
| HA8025S(B)2HL | Sleeve/Ball | 220 | 50/60 | 0.09/0.08 | 17.0/15.0 | 2600/3000 | 21/24 | 4.0/5.5 | 28.2/33 | 240 |
| HA8025S(B)2ML | Sleeve/Ball | 220 | 50/60 | 0.06/0.05 | 13.0/10.0 | 2300/2600 | 18/21 | 2.9/3.4 | 28.2/33 | 240 |

8038 尺寸/Size 80x80x38mm

AC Axial Flow Fan

★Dimensions Drawing(外观图)

★Characteristic Curves(特性曲线)



★Specifications(规格)

| Model 型号 | Bearing System 培林 | Rated Voltage (V) 电压 | Freq. (Hz) 频率 | Current (A) 电流 | Input Power (W) 功率 | Speed (RPM) 转速 | Air Flow (CFM) 风量 | Static Pressure (mm-H ₂ O) 静压 | Noise Level (dB-A) 噪音 | Weight (g) 重量 |
|---------------|----------------------|-------------------------|------------------|-------------------|-----------------------|-------------------|----------------------|---|--------------------------|------------------|
| HA8038S(B)1HL | Sleeve/Ball | 110 | 50/60 | 0.15/0.13 | 17.0/15.0 | 2400/2900 | 23/28 | 2.8/4.4 | 34/36 | 300 |
| HA8038S(B)1ML | Sleeve/Ball | 110 | 50/60 | 0.10/0.11 | 13.0/10.0 | 1900/2400 | 20/23 | 2.0/2.2 | 27/34 | 300 |
| HA8038S(B)2HL | Sleeve/Ball | 220 | 50/60 | 0.08/0.06 | 17.0/15.0 | 2400/2900 | 23/28 | 2.8/4.4 | 34/36 | 300 |
| HA8038S(B)2ML | Sleeve/Ball | 220 | 50/60 | 0.06/0.05 | 13.0/10.0 | 1900/2400 | 20/23 | 2.0/2.2 | 27/34 | 300 |