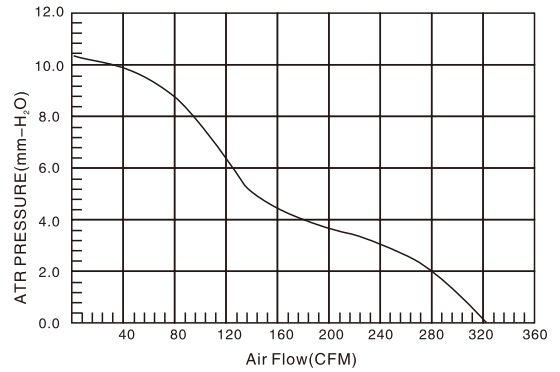
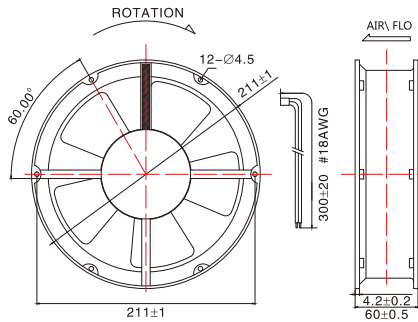


22060 尺寸/Size 220x60mm

AC Axial Flow Fan

★Dimensions Drawing(外观图)

★Characteristic Curves(特性曲线)



★Specifications(规格)

Model 型号	Bearing System 培林	Rated Voltage (V) 电压	Freq. (Hz) 频率	Current (A) 电流	Input Power (W) 功率	Speed (RPM) 转速	Air Flow (CFM) 风量	Static Pressure (mm-H ² o) 静压	Niose Level (dB-A) 噪音	Weight (g) 重量
HA22060B1HL	Ball	110	60	0.69	56	2500	325	10.40	59	1700
HA22060B2HL	Ball	220	50	0.30	48	2500	325	10.40	59	1700
HA22060B3HL	Ball	380	50	0.16	45	2500	325	10.40	59	1700

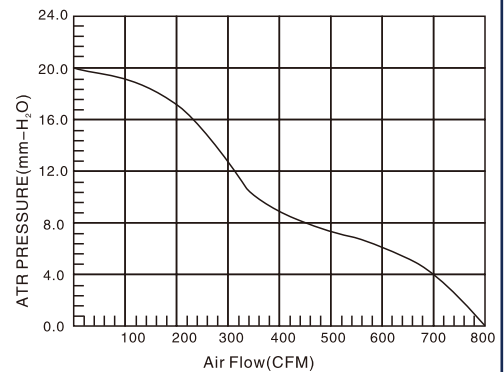
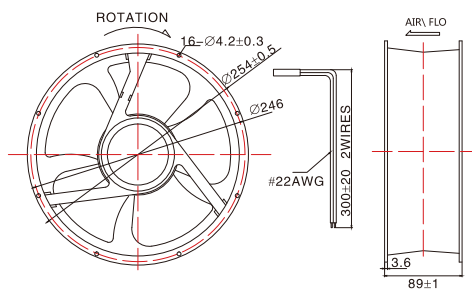
25489 尺寸/Size 254x89mm

AC Axial Flow Fan



★Dimensions Drawing(外观图)

★Characteristic Curves(特性曲线)



★Specifications(规格)

Model 型号	Bearing System 培林	Rated Voltage (V) 电压	Freq. (Hz) 频率	Current (A) 电流	Input Power (W) 功率	Speed (RPM) 转速	Air Flow (CFM) 风量	Static Pressure (mm-H ² o) 静压	Niose Level (dB-A) 噪音	Weight (g) 重量
HA25489B1HL	Ball	110	50/60	0.41/0.59	44/63	2200/2600	700/800	19.80	80	2100
HA25489B2HL	Ball	220	50/60	0.22/0.18	45/62	2600/2600	800/800	19.80	80	2100
HA25489B3HL	Ball	380	50/60	0.15/0.18	50/68	2700/2700	800/800	19.80	80	2100