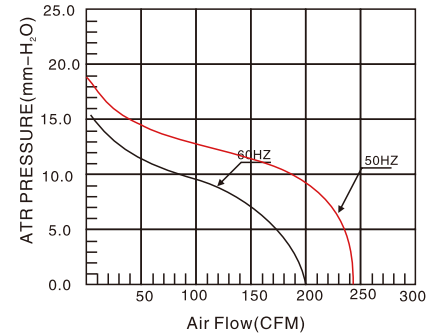
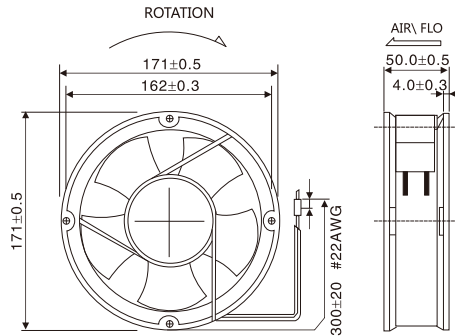


## 17150 尺寸/Size 171x50mm

## AC Axial Flow Fan

★Dimensions Drawing(外观图)

★Characteristic Curves(特性曲线)



★Specifications(规格)

Model 型号	Bearing System 培林	Rated Voltage (V) 电压	Freq. (Hz) 频率	Current (A) 电流	Input Power (W) 功率	Speed (RPM) 转速	Air Flow (CFM) 风量	Static Pressure (mm-H <sub>2</sub> O) 静压	Noise Level (dB-A) 噪音	Weight (g) 重量
HA17150S(B)1HL	Ball/ Sleeve	110/120	50/60	0.50/0.45	34/33	2700/2950	190/235	16.0/17.8	45/50	900
HA17150S(B)2HL		220/240	50/60	0.22/0.24	34/33	2700/2950	190/235	16.0/17.8	45/50	900
HA17150S(B)3HL		380	50/60	0.13	34	2500	190	16	45	900

## 1751

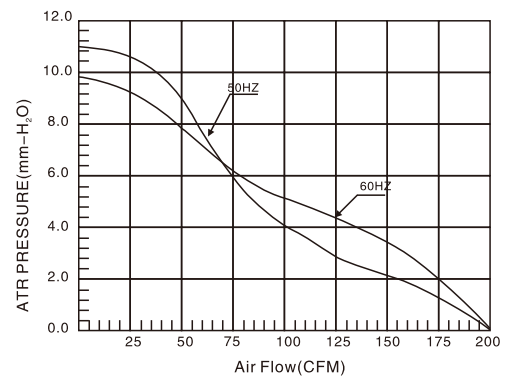
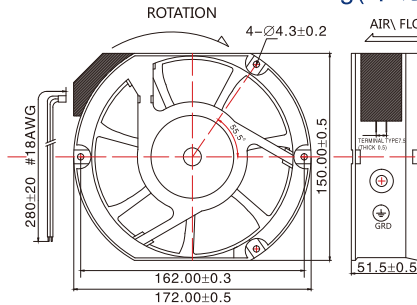
## 172X150X51mm

## AC Axial Flow Fan



★Dimensions Drawing(外观图)

★Characteristic Curves(特性曲线)



★Specifications(规格)

Model 型号	Bearing System 培林	Rated Voltage (V) 电压	Freq. (Hz) 频率	Current (A) 电流	Input Power (W) 功率	Speed (RPM) 转速	Air Flow (CFM) 风量	Static Pressure (mm-H <sub>2</sub> O) 静压	Noise Level (dB-A) 噪音	Weight (g) 重量
HA1751S(B)1HL	Sleeve/Ball	110	50/60	0.48/0.45	38/36	2600/3000	170/196	11.5/14.0	49/56	920
HA1751S(B)1ML	Sleeve/Ball	110	50/60	0.33/0.30	28/27	2400/2600	155/170	7.5/9.7	45/49	920
HA1751S(B)1LL	Sleeve/Ball	110	50/60	0.15/0.13	21/20	2100/2400	137/155	3.0/3.9	39/45	920
HA1751S(B)2HL	Sleeve/Ball	220	50/60	0.25/0.22	38/36	2600/3000	170/196	11.5/14.0	49/56	920
HA1751S(B)2ML	Sleeve/Ball	220	50/60	0.19/0.15	28/27	2400/2600	155/170	7.5/9.7	45/49	920
HA1751S(B)2LL	Sleeve/Ball	220	50/60	0.14/0.13	21/20	2100/2400	137/155	3.0/3.9	39/45	920
HA1751S(B)3HL	Sleeve/Ball	380	50/60	0.14/0.13	38/36	2600/3000	170/196	11.5/14.0	49/56	920