

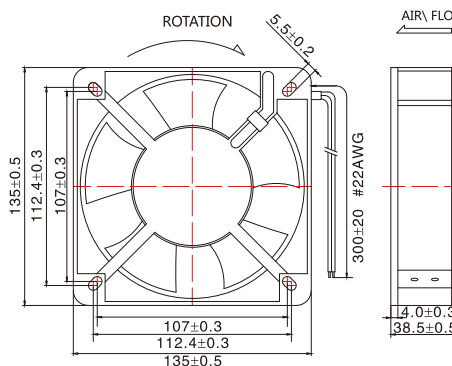
HA13538/15050 SERIES

13538 尺寸/Size 135x135x38mm

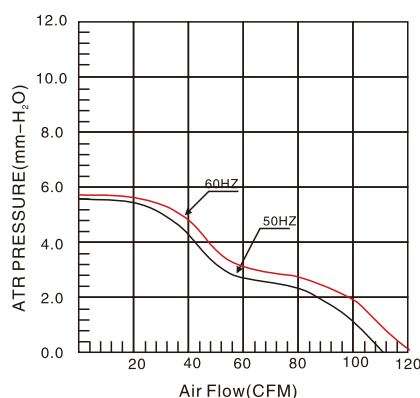
AC Axial Flow Fan



★Dimensions Drawing(外观图)



★Characteristic Curves(特性曲线)



★Specifications(规格)

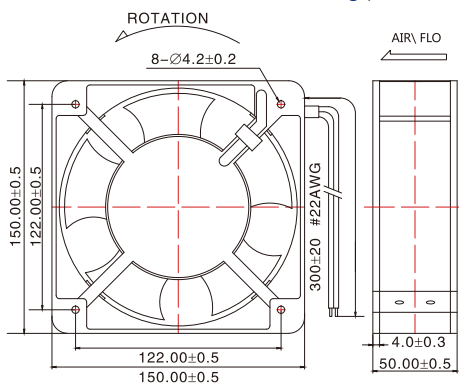
Model 型号	Bearing System 培林	Rated Voltage (V) 电压	Freq. (Hz) 频率	Current (A) 电流	Input Power (W) 功率	Speed (RPM) 转速	Air Flow (CFM) 风量	Static Pressure (mm-H ₂ O) 静压	Noise Level (dB-A) 噪音	Weight (g) 重量
HA13538S(B)1HL	Sleeve/Ball	110	50/60	0.24/0.20	23.0/21.0	2600/3000	115/141	6.50/6.80	43/45	570
HA13538S(B)1ML	Sleeve/Ball	110	50/60	0.15/0.13	15.0/14.0	2400/2700	107/120	4.30/5.10	41/43	570
HA13538S(B)1LL	Sleeve/Ball	110	50/60	0.13/0.11	10.0/9.0	2100/2400	93/107	1.80/3.0	39/41	570
HA13538S(B)2HL	Sleeve/Ball	220	50/60	0.15/0.13	23.0/21.0	2600/3000	115/141	6.50/6.80	43/45	570
HA13538S(B)2ML	Sleeve/Ball	220	50/60	0.11/0.09	15.0/14.0	2400/2700	107/120	4.30/5.10	41/43	570
HA13538S(B)2LL	Sleeve/Ball	220	50/60	0.07/0.06	10.0/9.0	2100/2400	93/107	1.80/3.0	39/41	570
HA13538S(B)3HL	Sleeve/Ball	380	50/60	0.07/0.06	23.0/21.0	2600/3000	115/141	6.50/6.80	43/45	570

15050 尺寸/Size 150x150x50mm

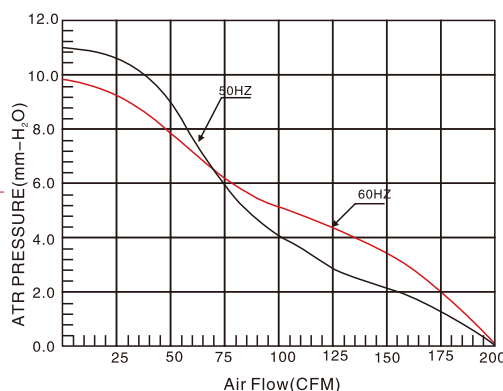
AC Axial Flow Fan



★Dimensions Drawing(外观图)



★Characteristic Curves(特性曲线)



★Specifications(规格)

Model 型号	Bearing System 培林	Rated Voltage (V) 电压	Freq. (Hz) 频率	Current (A) 电流	Input Power (W) 功率	Speed (RPM) 转速	Air Flow (CFM) 风量	Static Pressure (mm-H ₂ O) 静压	Noise Level (dB-A) 噪音	Weight (g) 重量
HA15050S(B)1HL	Sleeve/Ball	110	50/60	0.46/0.44	38/36	2600/3000	170/196	11.5/14.0	49/56	800
HA15050S(B)1ML	Sleeve/Ball	110	50/60	0.33/0.30	28/27	2400/2600	155/170	7.5/9.7	45/49	800
HA15050S(B)1LL	Sleeve/Ball	110	50/60	0.15/0.13	21/20	2100/2400	137/155	3.0/3.9	39/45	800
HA15050S(B)2HL	Sleeve/Ball	220	50/60	0.25/0.22	38/39	2600/3000	170/196	11.5/14.0	49/56	800
HA15050S(B)2ML	Sleeve/Ball	220	50/60	0.18/0.16	28/27	2400/2600	155/170	7.5/9.7	45/49	800
HA15050S(B)2LL	Sleeve/Ball	220	50/60	0.13/0.11	21/20	2100/2400	137/155	3.0/3.9	39/45	800
HA15050S(B)3HL	Sleeve/Ball	380	50/60	0.15/0.13	38/36	2600/3000	170/196	11.5/14.0	49/56	800

DC Blowers

DC Axial Fan

Cross Flow Fan

AC Axial Fan