

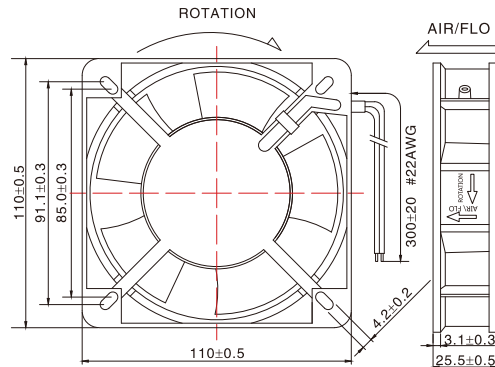
# HA11025/12025 SERIES

## 1125 尺寸/Size 110x110x25mm

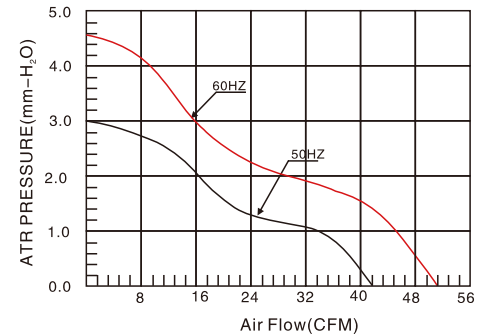
## AC Axial Flow Fan



★Dimensions Drawing(外观图)



★Characteristic Curves(特性曲线)



★Specifications(规格)

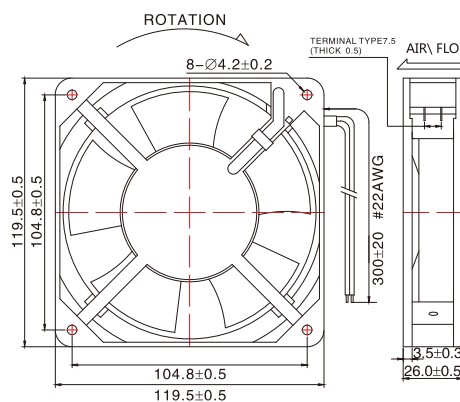
Model 型号	Bearing System 培林	Rated Voltage (V) 电压	Freq. (Hz) 频率	Current (A) 电流	Input Power (W) 功率	Speed (RPM) 转速	Air Flow (CFM) 风量	Static Pressure (mm-H <sub>2</sub> O) 静压	Niose Level (dB-A) 噪音	Weight (g) 重量
HA1125S(B)1HL	Sleeve/Ball	110	50/60	0.15/0.14	17.0/15.0	2300/2700	39/45	3.90/4.10	35/37	300
HA1125S(B)1ML	Sleeve/Ball	110	50/60	0.11/0.10	12.0/10.0	1800/2400	30/37	2.20/2.50	30/35	300
HA1125S(B)2HL	Sleeve/Ball	220	50/60	0.11/0.09	17.0/15.0	2300/2700	39/45	3.90/4.10	35/37	300
HA1125S(B)2ML	Sleeve/Ball	220	50/60	0.19/0.07	12.0/10.0	1800/2400	30/37	2.20/2.50	30/35	300

## 1225 尺寸/Size 120x120x25mm

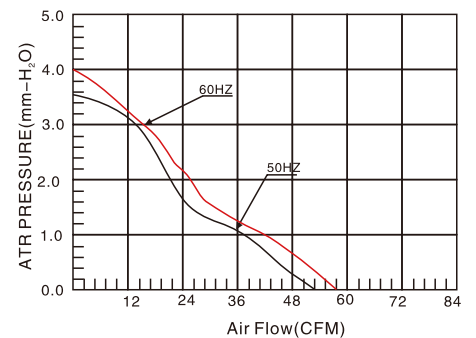
## AC Axial Flow Fan



★Dimensions Drawing(外观图)



★Characteristic Curves(特性曲线)



★Specifications(规格)

Model 型号	Bearing System 培林	Rated Voltage (V) 电压	Freq. (Hz) 频率	Current (A) 电流	Input Power (W) 功率	Speed (RPM) 转速	Air Flow (CFM) 风量	Static Pressure (mm-H <sub>2</sub> O) 静压	Niose Level (dB-A) 噪音	Weight (g) 重量
HA1225S(B)1HL	Sleeve/Ball	110	50/60	0.15/0.14	13.0/11.0	2100/2500	35/37	3.80/5.0	36/38	320
HA1225S(B)1ML	Sleeve/Ball	110	50/60	0.11/0.10	13.0/11.0	1800/2400	30/35	1.80/2.0	30/36	320
HA1225S(B)2HL	Sleeve/Ball	220	50/60	0.09/0.08	18.0/14.0	2100/2500	35/37	3.80/5.0	36/38	320
HA1225S(B)2ML	Sleeve/Ball	220	50/60	0.06/0.05	18.0/14.0	1800/2400	30/35	1.80/2.0	30/36	320